

 **BOEING**
COMPONENT
MAINTENANCE MANUAL

TO: ALL HOLDERS OF AFT ATTENDANTS PANEL ASSEMBLY COMPONENT MAINTENANCE MANUAL
25-29-59

REVISION NO. 5 DATED MAR 01/04

HIGHLIGHTS

Pages which have been added or revised are outlined below together with the highlights of the revision. Remove and insert the affected pages as listed and enter Revision No. and date on the Record of Revision Sheet.

CHAPTER/SECTION

AND PAGE NO.

101
1002-1020,1025-1039,
1043-1053,1057-1063

DESCRIPTION OF CHANGE

Updated the Illustrated Parts List per latest engineering data. Changed the test equipment list to allow the use of any Simpson 260 series multimeter.

25-29-59

HIGHLIGHTS

01.1

Page 1

Mar 01/04

AFT ATTENDANTS PANEL ASSEMBLY

PART NUMBERS 417T6010-13,-17,-19 THRU -21,
-23 THRU -25,-27,-29,
-30,-32
285T0629-47,-48,-50,-51,-54,
-56,-57,-59 THRU -61,
-80,-125

COMPONENT MAINTENANCE MANUAL
WITH
ILLUSTRATED PARTS LIST

25-29-59

TITLE PAGE

Page 1

Oct 01/91

01.1

REVISION RECORD

- Retain this record in front of manual. On receipt of revision, insert revised pages in the manual, and enter revision number, date inserted and initial.

REVISION NUMBER	REVISION DATE	DATE FILED	BY	REVISION NUMBER	REVISION DATE	DATE FILED	BY

25-29-59

REVISION RECORD

01.1

Page 1

Mar 01/99

TEMPORARY REVISION AND SERVICE BULLETIN RECORD

BOEING SERVICE BULLETIN	BOEING TEMPORARY REVISION	OTHER DIRECTIVE	DATE OF INCORPORATION INTO MANUAL
417T6010-25-02		MC B1233-011 PRR B10487 PRR B10518 PRR B10696 PRR B10779	OCT 10/82 OCT 10/82 OCT 10/82 OCT 10/82 JAN 10/83 OCT 01/91

25-29-59

TR & SB RECORD

01.1

Page 1

Mar 01/99

PAGE	DATE	CODE	PAGE	DATE	CODE
25-29-59			TESTING & TROUBLE SHOOTING CONT.		
TITLE PAGE			112	MAR 01/02	01.101
1	OCT 01/91	01.1	113	MAR 01/02	01.101
2	BLANK		114	MAR 01/02	01.101
REVISION RECORD			115	MAR 01/02	01.101
1	MAR 01/99	01.1	116	MAR 01/02	01.101
2	BLANK		117	MAR 01/02	01.101
TR & SB RECORD			118	MAR 01/02	01.101
1	MAR 01/99	01.1	119	MAR 01/02	01.101
2	BLANK		120	MAR 01/02	01.101
LIST OF EFFECTIVE PAGES			121	MAR 01/02	01.101
*1	MAR 01/04	01	122	MAR 01/02	01.101
THRU LAST PAGE			REPAIR-GENERAL		
CONTENTS			601	MAR 01/99	01.1
1	MAR 01/99	01.1	602	MAR 01/99	01.1
2	BLANK		ILLUSTRATED PARTS LIST		
INTRODUCTION			1001	MAR 01/99	01.1
1	MAR 01/99	01.1	*1002	MAR 01/04	01.1
2	BLANK		*1003	MAR 01/04	01.1
DESCRIPTION & OPERATION			*1004	MAR 01/04	01.1
1	MAR 01/99	01.1	*1005	MAR 01/04	01.1
2	BLANK		*1006	MAR 01/04	01.1
TESTING & TROUBLE SHOOTING			*1007	MAR 01/04	01.1
*101	MAR 01/04	01.1	*1008	MAR 01/04	01.1
102	MAR 01/99	01.1	*1009	MAR 01/04	01.1
103	MAR 01/02	01.1	*1010	MAR 01/04	01.1
104	MAR 01/02	01.101	*1011	MAR 01/04	01.1
105	MAR 01/02	01.101	*1012	MAR 01/04	01.1
106	MAR 01/02	01.101	*1013	MAR 01/04	01.1
107	MAR 01/02	01.101	*1014	MAR 01/04	01.1
108	MAR 01/02	01.101	*1015	MAR 01/04	01.1
109	MAR 01/02	01.101	*1016	MAR 01/04	01.1
110	MAR 01/02	01.101	*1017	MAR 01/04	01.1
111	MAR 01/02	01.101	*1018	MAR 01/04	01.1
			*1019	MAR 01/04	01.1
			*1020	MAR 01/04	01.1
			*1021	BLANK	
			*1022	MAR 01/04	01.1
			*1023	MAR 01/04	01.1
			*1024	MAR 01/04	01.1
			*1025	MAR 01/04	01.1

* = REVISED, ADDED OR DELETED

25-29-59

EFFECTIVE PAGES
CONTINUED Page 1
01 Mar 01/04

PAGE	DATE	CODE	PAGE	DATE	CODE
ILLUSTRATED PARTS LIST		CONT.			
*1026	MAR 01/04	01.1			
*1027	MAR 01/04	01.1			
*1028	MAR 01/04	01.1			
*1029	MAR 01/04	01.1			
*1030	MAR 01/04	01.1			
*1031	MAR 01/04	01.1			
*1032	MAR 01/04	01.1			
*1033	MAR 01/04	01.1			
*1034	MAR 01/04	01.1			
*1035	MAR 01/04	01.1			
*1036	MAR 01/04	01.1			
*1037	MAR 01/04	01.1			
*1038	MAR 01/04	01.1			
*1039	MAR 01/04	01.1			
*1040	MAR 01/04	01.1			
*1041	MAR 01/04	01.1			
*1042	MAR 01/04	01.1			
*1043	MAR 01/04	01.1			
*1044	MAR 01/04	01.1			
*1045	MAR 01/04	01.1			
*1046	MAR 01/04	01.1			
*1047	MAR 01/04	01.1			
*1048	MAR 01/04	01.1			
*1049	MAR 01/04	01.1			
*1050	MAR 01/04	01.1			
*1051	MAR 01/04	01.1			
*1052	MAR 01/04	01.1			
*1053	MAR 01/04	01.1			
*1054	MAR 01/04	01.1			
*1055	MAR 01/04	01.1			
*1056	MAR 01/04	01.1			
*1057	MAR 01/04	01.1			
*1058	MAR 01/04	01.1			
*1059	MAR 01/04	01.1			
*1060	MAR 01/04	01.1			
*1061	MAR 01/04	01.1			
*1062	MAR 01/04	01.1			
*1063	MAR 01/04	01.1			
*1064	BLANK				

* = REVISED, ADDED OR DELETED

25-29-59

EFFECTIVE PAGES
LAST PAGE Page 2
01 Mar 01/04

TABLE OF CONTENTS

<u>Paragraph Title</u>	<u>Page</u>
Description and Operation.	1
Testing and Trouble Shooting	101
Disassembly.*[1]	
Cleaning*[1]	
Check.*[1]	
Repair	601
Assembly*[2]	
Fits and Clearances (not applicable)	
Special Tools, Fixtures, and Equipment*[1]	
Illustrated Parts List	1001

*[1] Use applicable procedures in 20-11-04 and standard industry practices.

*[2] Special instructions not required.

INTRODUCTION

The instructions in this manual supply the data necessary to do the maintenance functions together with the test, trouble shooting, and replacement of the defective components.

This manual is divided into different parts:

- | | |
|---|-----------------------------|
| 1. Title Page | 4. List of Effective Pages |
| 2. Record of Revisions | 5. Table of Contents |
| 3. Temporary Revisions &
Service Bulletin Record | 6. Introduction |
| | 7. Procedures and IPL Parts |

Refer to the Table of Contents for the page location of the applicable parts.

All dimensions, measures, quantities and weights used in the manual are in English units. When metric equivalents are given they will be in parentheses that follow the English units.

The Illustrated Parts List (IPL) is used as shown in the introduction of that part.

Design changes, optional parts, configuration differences and Service Bulletin modifications cause different part numbers. These part numbers are identified in the IPL with an alphabetical character added to the end of the basic item number. The new item number is referred to as an alpha-variant. Throughout the manual, IPL basic item numbers also apply to alpha-variants unless shown differently.

Verification:

Testing/TS Jan 31/83

25-29-59

INTRODUCTION

01.1

Page 1

Mar 01/99

AFT ATTENDANTS PANEL ASSEMBLY

DESCRIPTION AND OPERATION

CAUTION: OBEY THE PROCEDURES IN 20-12-02, HANDLING OF ELECTROSTATIC SENSITIVE DEVICES WHEN HANDLING P/N 285T0629-54 AND 417T6010-30. ELECTROSTATIC DISCHARGE CAN CAUSE DAMAGE TO THESE COMPONENTS.

1. The aft attendants panel assembly has switches, diode module (on some assemblies), and indicator(s) installed on a plastic shell. A wire bundle connects the different components and supplies two connectors as the interface with airplane wiring.

25-29-59

DESCRIPTION & OPERATION

01.1

Page 1

Mar 01/99

TESTING AND TROUBLE SHOOTING

CAUTION: OBEY THE PROCEDURES IN 20-12-02, HANDLING OF ELECTROSTATIC SENSITIVE DEVICES WHEN HANDLING P/N 285T0629-54 AND 417T6010-30. ELECTROSTATIC DISCHARGE CAN CAUSE DAMAGE TO THESE COMPONENTS.

1. Test Equipment

A. Power Supply: 28 \pm 1 vdc, 2 ampere

0 to 10 vdc variable, \pm 0.01 vdc, 1 ampere

Variable, 0 to -15 vdc

Variable, 0 to +15 vdc

B. Multimeter: Any Simpson 260 series model, or equivalent
Fluke 8050A, or equivalent

C. Test Connectors

BACC45FN24-61S (connects with P1)

BACC45FN16-24S (connects with P2)

Boeing Breakout Box A33003-2 with cables A33003-65 and A33003-30 may be used.

2. Functional Test

A. Identify the part under test. Refer to Fig. 100 for part dash number applicability. This will give the figure and sheets to use for the functional test. Figures 102 and 103 are for the functional test, Fig. 104 is the schematics.

B. For component identification and location, refer to Fig. 101.

C. Do the functional test as specified in Fig. 102 and Fig. 103. Apply voltage as necessary for the step, do the step and remove voltage. Refer to Component Tested column for suspect component(s) should there be a failure.

25-29-59

3. Test Figure Applicability Chart

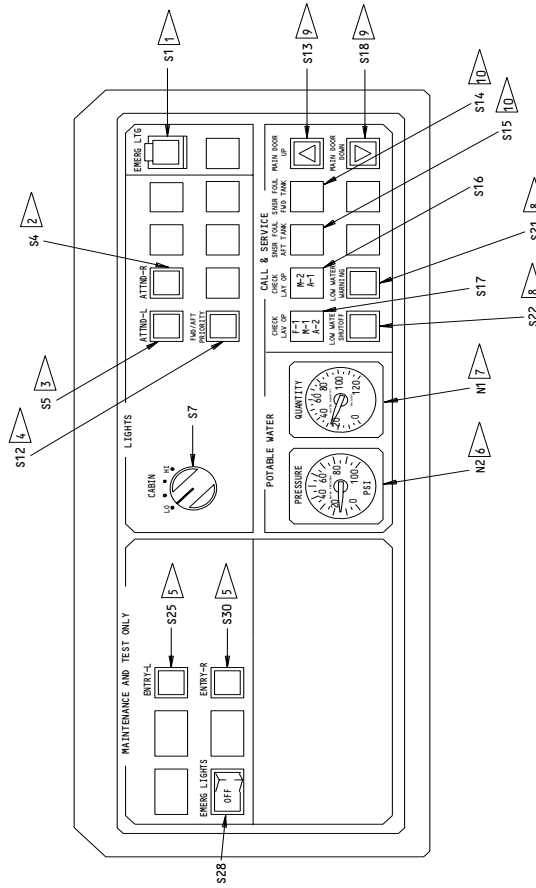
FIG.	SH	PANEL ASSEMBLY 417T6010														
		ALL	-13	-17	-19	-20	-21	-23	-24	-25	-27	-29	-30	-32		
101	--	X														
102	1		X						X	X	X		X	X		
102	2											X				
102	3			X				X								
102	4			X				X								
102	5				X	X										
102	6								X							
103	1	X														
103	2		X	X	X	X	X	X	X	X	X	X		X		
103	3												X			
104	1	X														
104	2		X							X	X	X				
104	3												X			
104	4													X		
104	5			X				X								
104	6				X	X										
104	7															
104	8												X			
104	9								X							

FIG.	SH	PANEL ASSEMBLY 285T0629														
		ALL	-47	-48	-50	-51	-54	-56	-57	-59	-60	-61	-80	-125		
101	--	X														
102	1			X			X	X	X		X	X				
102	2												X			
102	3		X											X		
102	4		X											X		
102	5				X	X										
102	6									X						
102	7	X														
103	1															
103	2		X	X	X	X		X	X	X	X	X	X	X		
103	3						X									
104	1															
104	2			X				X			X	X				
104	3												X			
104	4							X								
104	5															
104	6		X												X	
104	7				X	X										
104	8						X									
104	9									X						

Test Figure Applicability Chart
Figure 100

25-29-59

BOEING
 COMPONENT
 MAINTENANCE MANUAL



- 1 INSTALLED ON 41776010-17,-21,-27,-32
- 2 INSTALLED ON ALL EXCEPT 41776010-23
- 3 INSTALLED ON ALL EXCEPT 41776010-19,-20,-23,-29
- 4 INSTALLED ON 41776010-29
- 5 INSTALLED ON ALL EXCEPT 41776010-17,-21
- 6 INSTALLED ON 41776010-17,-21
- 7 QUANTITY SHOWN IN LITRES ON 41776010-24,-30
- 8 INSTALLED ON 41776010-30
- 9 INSTALLED ON 41776010-23
- 10 INSTALLED ON 285T0629-() ONLY

NOTE: SWITCH NOMENCLATURE NOT SHOWN FOR EACH CONFIGURATION

Component Identification
 Figure 101

25-29-59

APPLY 28V DC + -	SWITCH OPERATION	CONTI- NUITY BETWEEN	OPEN BETWEEN	INDICATOR(S) ON	COMPONENT TESTED
<u>P1 PINS</u>	PUSH THE SWITCHES SEVERAL TIMES AND THEN LEAVE ON	<u>P1 PINS</u>		THE LIGHT SWITCHES COME ON AND GO OFF AND THEN STAY ON	
13 11	S4			S4	S4
13 11	S5			S5	S5
13 11	S25			S25	S25
13 11	S30			S30	S30
13 11	PUSH S28			S28 ON	S28
13 11	RELEASE S28			S28 OFF	
	PUSH AND HOLD S28		37 & 38		
		37 & 38			
		13 & 16			
		13 & 15			
34 36			13 & 14		K1
			13 & 14		
34 35			13 & 12		K2
	PUSH S4,S5,S25,S30 (TO OFF) AND RELEASE S28				
		13 & 12			
<u>P2 PINS</u>		<u>P2 PINS</u>			
9 8				S17 ON	S17
9 13				S17 OFF	
9 13	PUSH S17 MOMENTARILY			S17 ON	
11 10				S16 ON	S16
11 12				S16 OFF	
11 12	PUSH S16 MOMENTARILY			S16 ON	

417T6010-13,-24,-25,-27,-30,-32
285T0629-48,-54,-56,-57,-60,-61

Functional Test
Figure 102 (Sheet 1)

25-29-59

TESTING & TROUBLE SHOOTING
01.101 Page 104
Mar 01/02

APPLY 28V DC + -	SWITCH OPERATION	CONTI- NUITY BETWEEN	OPEN BETWEEN	INDICATOR(S) ON	COMPONENT TESTED
	PUSH THE SWITCHES SEVERAL TIMES AND THEN LEAVE ON		<u>P1 PINS</u>	THE LIGHT SWITCHES COME ON AND GO OFF AND THEN STAY ON	
13 11	S4			S4	S4
13 11	S25			S25	S25
13 11	S30			S30	S30
13 11	PUSH S28			S28 ON	S28
13 11	RELEASE S28			S28 OFF	
	PUSH AND HOLD S28		37 & 38		
		37 & 38 13 & 16			
34 36		13 & 14	13 & 14		K1
34 35		13 & 12	13 & 12		K2
	PUSH S4,S25,S30 (TO OFF) AND RELEASE S28				
13 51			38 & 50	S12	S12
13 51	PUSH S12 (TO ON)	38 & 50		S12	
			<u>P2 PINS</u>		
9 8				S17 ON	S17
9 13				S17 OFF	
9 13	PUSH S17 MOMENTARILY			S17 ON	
11 10				S16 ON	S16
11 12				S16 OFF	
11 12	PUSH S16 MOMENTARILY			S16 ON	

417T6010-29
 285T0629-80

Functional Test
 Figure 102 (Sheet 2)

25-29-59

TESTING & TROUBLE SHOOTING
 01.101 Page 105
 Mar 01/02

APPLY 28V DC + -	SWITCH OPERATION	CONTI- NUITY BETWEEN	OPEN BETWEEN	INDICATOR(S) ON	COMPONENT TESTED
<u>P1 PINS</u>	PUSH THE SWITCHES SEVERAL TIMES AND THEN LEAVE ON		<u>P1 PINS</u>	THE LIGHT SWITCHES COME ON AND GO OFF AND THEN STAY ON	
13 11	S4			S4	S4
13 11	S5			S5	S5
13 11	PUSH S28			S28 ON	S28
13 11	RELEASE S28			S28 OFF	
	PUSH AND HOLD S28		37 & 38		
		37 & 38			
		13 & 16			
		13 & 15			
34 36			13 & 14		K1
		13 & 14			
34 35			13 & 12		K2
	PUSH S4 AND S5 (TO OFF) AND RELEASE S28	13 & 12			
<u>P2 PINS</u>			<u>P2 PINS</u>		
9 8				S17 ON	S17
9 13				S17 OFF	
9 13	PUSH S17 MOMENTARILY			S17 ON	
11 10				S16 ON	S16
11 12				S16 OFF	
11 12	PUSH S16 MOMENTARILY			S16 ON	
	MEASURE RESISTANCE BETWEEN PINS J2-1 AND J2-2 RANGE: 171 TO 189 OHMS				R1

417T6010-17,-21
 285T0629-47,-125

Functional Test
 Figure 102 (Sheet 3)

25-29-59

TESTING & TROUBLE SHOOTING
 01.101 Page 106
 Mar 01/02

APPLY 28V DC + -	SWITCH OPERATION	CONTI- NUITY BETWEEN	OPEN BETWEEN	INDICATOR(S) ON	COMPONENT TESTED
<u>P2 PINS</u>	<p>MEASURE RESISTANCE BETWEEN PINS J2-3 AND J2-2 (LOW) RANGE: 50 OHMS MAXIMUM</p> <p>MEASURE RESISTANCE BETWEEN PINS J2-2 AND J2-3 (LOW) RANGE: 100K MINIMUM</p> <p>CONNECT PIN P2-3 TO GROUND CONNECT 1K, 2W TO PIN P2-2 AND APPLY 28V DC</p> <p>MEASURE DC VOLTAGE ACROSS PINS P2-2 AND P2-3 (LOW) RANGE: 19 TO 21V DC</p>	<u>P2 PINS</u>			<p>CR1</p> <p>CR1</p> <p>CR1</p>

417T6010-17,-21
 285T0629-47,-125

Functional Test
 Figure 102 (Sheet 4)

25-29-59

TESTING & TROUBLE SHOOTING
 01.101 Page 107
 Mar 01/02

APPLY 28V DC + -	SWITCH OPERATION	CONTI- NUITY BETWEEN	OPEN BETWEEN	INDICATOR(S) ON	COMPONENT TESTED
<u>P1 PINS</u>	PUSH THE SWITCHES SEVERAL TIMES AND THEN LEAVE ON		<u>P1 PINS</u>	THE LIGHT SWITCHES COME ON AND GO OFF AND THEN STAY ON	
13 11	S4			S4	S4
13 11	S25			S25	S25
13 11	S30			S30	S30
13 11	PUSH S28			S28 ON	S28
13 11	RELEASE S28			S28 OFF	
	PUSH AND HOLD S28		37 & 38		
		37 & 38			
		13 & 16			
34 36		13 & 14	13 & 14		K1
34 35		13 & 12	13 & 12		K2
	PUSH S4,S25,S30 (TO OFF) AND RELEASE S28				
<u>P2 PINS</u>			<u>P2 PINS</u>		
9 8				S17 ON	S17
9 13				S17 OFF	
9 13	PUSH S17 MOMENTARILY			S17 ON	
11 10				S16 ON	S16
11 12				S16 OFF	
11 12	PUSH S16 MOMENTARILY			S16 ON	

 417T6010-19,-20
 285T0629-50,-51

 Functional Test
 Figure 102 (Sheet 5)

25-29-59

 TESTING & TROUBLE SHOOTING
 01.101 Page 108
 Mar 01/02

APPLY 28V DC + -	SWITCH OPERATION	CONTI- NUITY BETWEEN	OPEN BETWEEN	INDICATOR(S) ON	COMPONENT TESTED
<u>P1 PINS</u>	PUSH THE SWITCHES SEVERAL TIMES AND THEN LEAVE ON		<u>P1 PINS</u>	THE LIGHT SWITCHES COME ON AND GO OFF AND THEN STAY ON	
13 11	S25			S25	S25
13 11	S30			S30	S30
13 11	PUSH S28			S28 ON	S28
13 11	RELEASE S28			S28 OFF	
	PUSH AND HOLD S28	37 & 38	37 & 38		
			13 & 12		
			13 & 14		
34 36		13 & 14			K1
			13 & 12		
34 35		13 & 12			K2
	PUSH S25,S30 (TO OFF) AND RELEASE S28		13 & 14		
24 22	PUSH S13 MOMENTARILY			S13 ON	S13
		28 & 49 27 & 26	28 & 27		
	PUSH S13 MOMENTARILY	27 & 49	28 & 49		
24 22	PUSH S18 MOMENTARILY			S18 ON	S18
		24 & 48 25 & 23	25 & 48		
	PUSH S18 MOMENTARILY	25 & 24	24 & 48		
<u>P2 PINS</u>			<u>P2 PINS</u>		
9 8				S17 ON	S17
9 13				S17 OFF	
9 13	PUSH S17 MOMENTARILY			S17 ON	
11 10				S16 ON	S16
11 12				S16 OFF	
11 12	PUSH S16 MOMENTARILY			S16 ON	

417T6010-23
285T0629-59

Functional Test
Figure 102 (Sheet 6)

25-29-59

TESTING & TROUBLE SHOOTING
01.101 Page 109
Mar 01/02

APPLY 28V DC + -	SWITCH OPERATION	CONTI- NUITY BETWEEN	OPEN BETWEEN	INDICATOR(S) ON	COMPONENT TESTED
<u>P2 PINS</u>			<u>P2 PINS</u>		
20 21				S14 ON	S14
20 10				S14 OFF	
20 10	PRESS S14 MOMENTARILY			S14 ON	
17 18				S15 ON	S15
17 8				S15 OFF	
17 8	PRESS S15 MOMENTARILY			S15 ON	

285T0629-47,-48,-50,-51,-54,-56,-57,-59,-60,-61,-80,-125

Functional Test
 Figure 102 (Sheet 7)

25-29-59

TESTING & TROUBLE SHOOTING
 01.101 Page 110
 Mar 01/02

COMPONENT TESTED	PROCEDURE	REQUIRED RESULTS			
TB1	<p><u>FOR 417T6010-17,-21; 285T0629-47,-125</u> Measure between P2 pins:</p> <p style="padding-left: 40px;">1 and 2 + 3 and 2 + 2 and 3</p>	<p>171 to 189 ohms 50 ohms max 100 kilohms min</p>			
S7	<p><u>ALL</u> Measure between P1 pins:</p> <p style="padding-left: 40px;">1 and 3 4 and 6 5 and 6 7 and 10 8 and 10 31 and 32</p> <p><u>FOR ALL EXCEPT 417T6010-23; 285T0629-59</u> 9 and 10 2 and 3</p> <p><u>FOR 417T6010-23; 285T0629-59</u> 9 and 10 2 and 3</p>	<p>POS. 1 (full CCW)</p>	<p>POS. 2</p>	<p>POS. 3</p>	<p>POS. 4 (full CW)</p>
		<p>OPEN OPEN CON OPEN OPEN CON</p>	<p>OPEN OPEN OPEN OPEN CON OPEN</p>	<p>CON OPEN OPEN OPEN OPEN OPEN</p>	<p>CON CON OPEN CON OPEN OPEN</p>
<p><u>FOR 417T6010-17,-21,-27,-32; 285T0629-47,-48,-57,-125</u> Apply 28V DC between P1 pins: 21(+) and 25(-) Press S1 several times then leave ON Remove power Measure between P1 pins: 25 and 24 25 and 33 Press S1 (to OFF) Measure between P1 pins: 25 and 24 25 and 33</p>		<p>Not Applicable</p> <p>S1 alternately ON/OFF then ON</p> <p>Not Applicable</p> <p>CON OPEN Not Applicable</p> <p>OPEN CON</p>			

Functional Test
Figure 103 (Sheet 1)

25-29-59

COMPONENT TESTED	PROCEDURE	REQUIRED RESULTS
<p>N1</p> <p>N2</p>	<p>Apply 0V DC between P2 pins 6(-) and 7(+)</p> <p>Adjust voltage to have gage measure exactly 0 GAL (0 L) (SOME GAGES MARKED IN LITRES, SOME IN GALLONS)</p> <p>Adjust voltage to have gage measure exactly:</p> <p style="padding-left: 40px;">40 GAL (151 L) 80 GAL (300 L) 120 GAL (455 L)</p> <p><u>FOR 417T6010-17,-21; 285T0629-47,-125</u></p> <p>Apply 0V DC between P2 pins 5(+) and 4(-)</p> <p>Adjust voltage to have gage measure exactly 0 psi.</p> <p>Adjust voltage to have gage measure exactly:</p> <p style="padding-left: 40px;">20 PSI 40 PSI 60 PSI 80 PSI 100 PSI</p>	<p>Voltage measures -0.20 to 0.0V DC</p> <p>-3.53 to -3.13V DC -6.87 to -6.67V DC -10.20 to -9.80V DC</p> <p>3.6 to 4.4V DC 7.6 to 8.4V DC 11.6 to 12.4V DC 15.6 to 16.4V DC 19.6 to 20.4V DC</p>

ALL EXCEPT 417T6010-30; 285T0629-54

Functional Test
 Figure 103 (Sheet 2)

25-29-59

TESTING & TROUBLE SHOOTING
 01.101 Page 112
 Mar 01/02

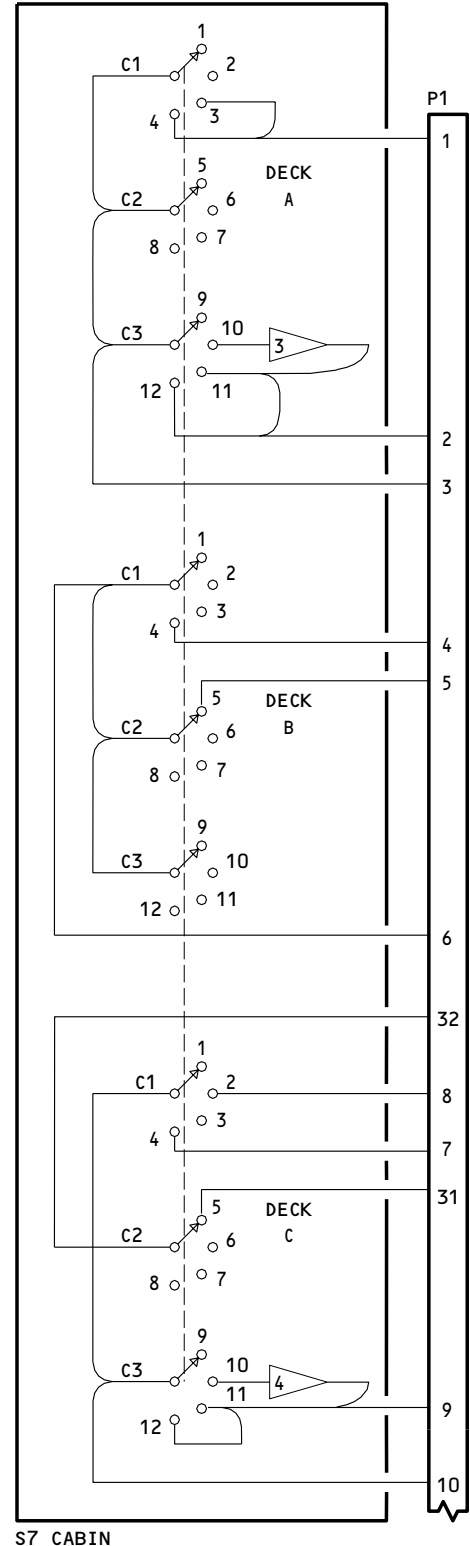
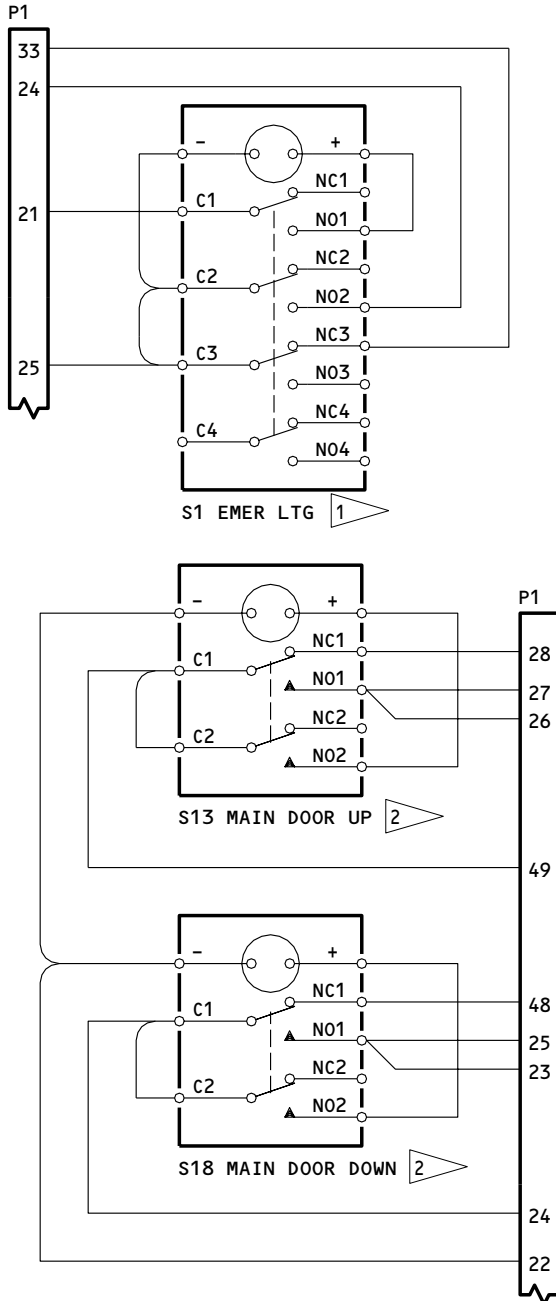
COMPONENTS TESTED	PROCEDURE	REQUIRED RESULTS
K3,M1,N1, S21,S22	<p>Push S21 and S22 to off (if necessary).</p> <p>Connect P2-1 and P2-7 to P2-14 (ground).</p> <p>Apply +28V DC between P2-3(+) and ground (-).</p> <p>Apply -5V DC between P2-6(-) and ground (+).</p> <p>Slowly decrease -5V DC until S21 starts to flash.</p> <p>Push S21 (to on).</p> <p>Push low water shutoff switch-indicator (S22)(to on).</p> <p>Remove -5 and +28V DC power.</p> <p>Disconnect P2-1,P2-7, and P2-14.</p>	<p>Caps out (up).</p> <p>Not applicable.</p> <p>+28V DC between P2-16 and ground.</p> <p>0V DC between P2-15 and ground.</p> <p>Low water warning switch-indicator (S21) does not flash.</p> <p>Gage N1 shows 220 to 230 litres.</p> <p>-1.77 to -1.57V DC (measured) between P2-6 and ground.</p> <p>Gage N1 shows approximately 76 litres.</p> <p>Indicator stops flashing and stays on.</p> <p>Indicator comes on and stays on.</p> <p>0V DC between P2-16 and ground.</p> <p>+28V DC between P2-15 and ground.</p> <p>Not applicable.</p> <p>Not applicable.</p>

417T6010-30; 285T0629-54

Functional Test
Figure 103 (Sheet 3)

25-29-59

TESTING & TROUBLE SHOOTING
01.101 Page 113
Mar 01/02

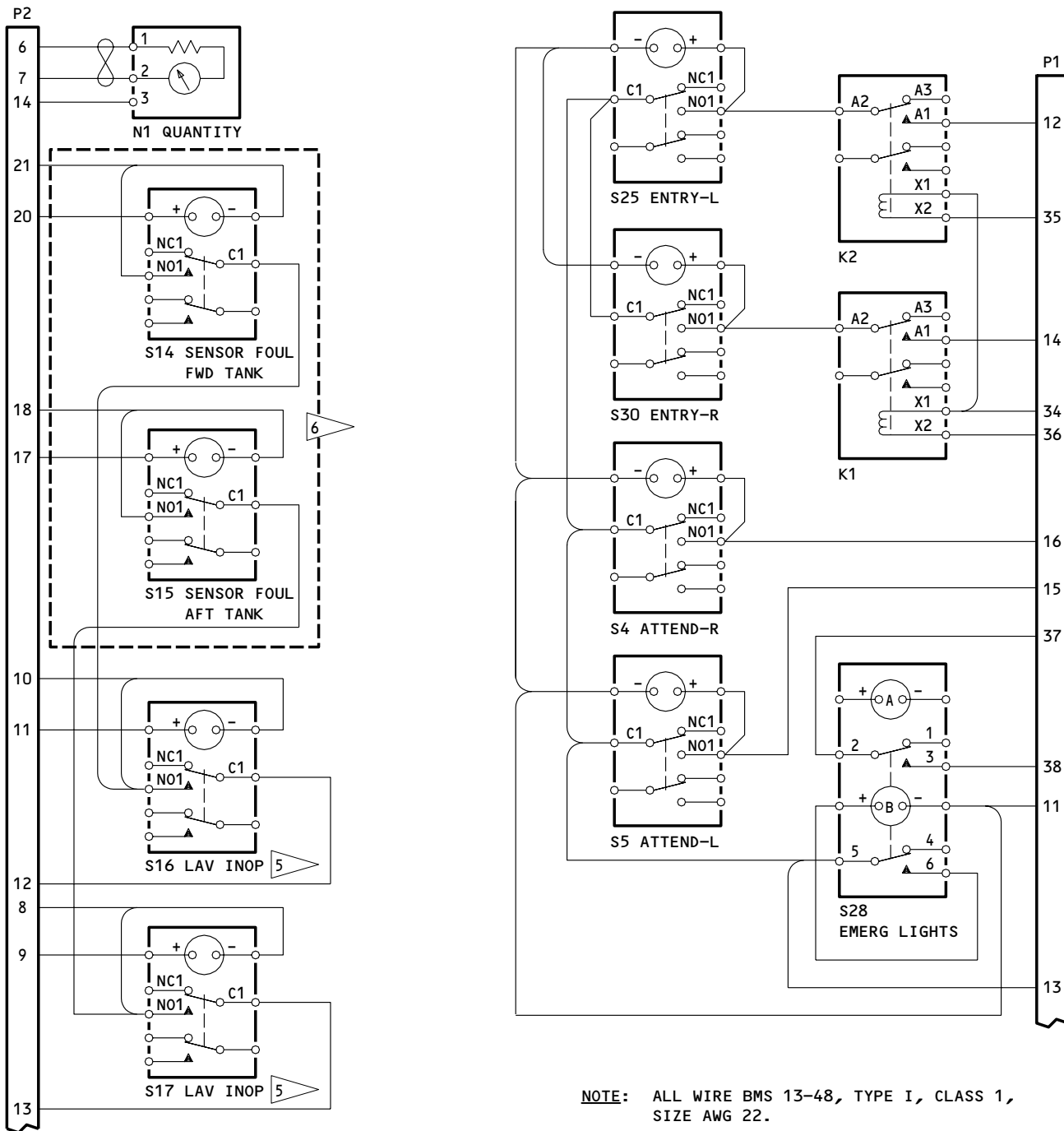


NOTE: ALL WIRES ARE BMS 13-48, TYPE I, CLASS 1, SIZE AWG 18

- 1 ▴ INSTALLED ON 417T6010-17,-21,-27,-32; 285T0629-47,-48,-57,-125
- 2 ▴ INSTALLED ON 417T6010-23, 285T0629-59
- 3 ▴ ALL EXCEPT 417T6010-23, 285T0629-59
- 4 ▴ 417T6010-23, 285T0629-59

Schematic Diagram
 Figure 104 (Sheet 1)

25-29-59



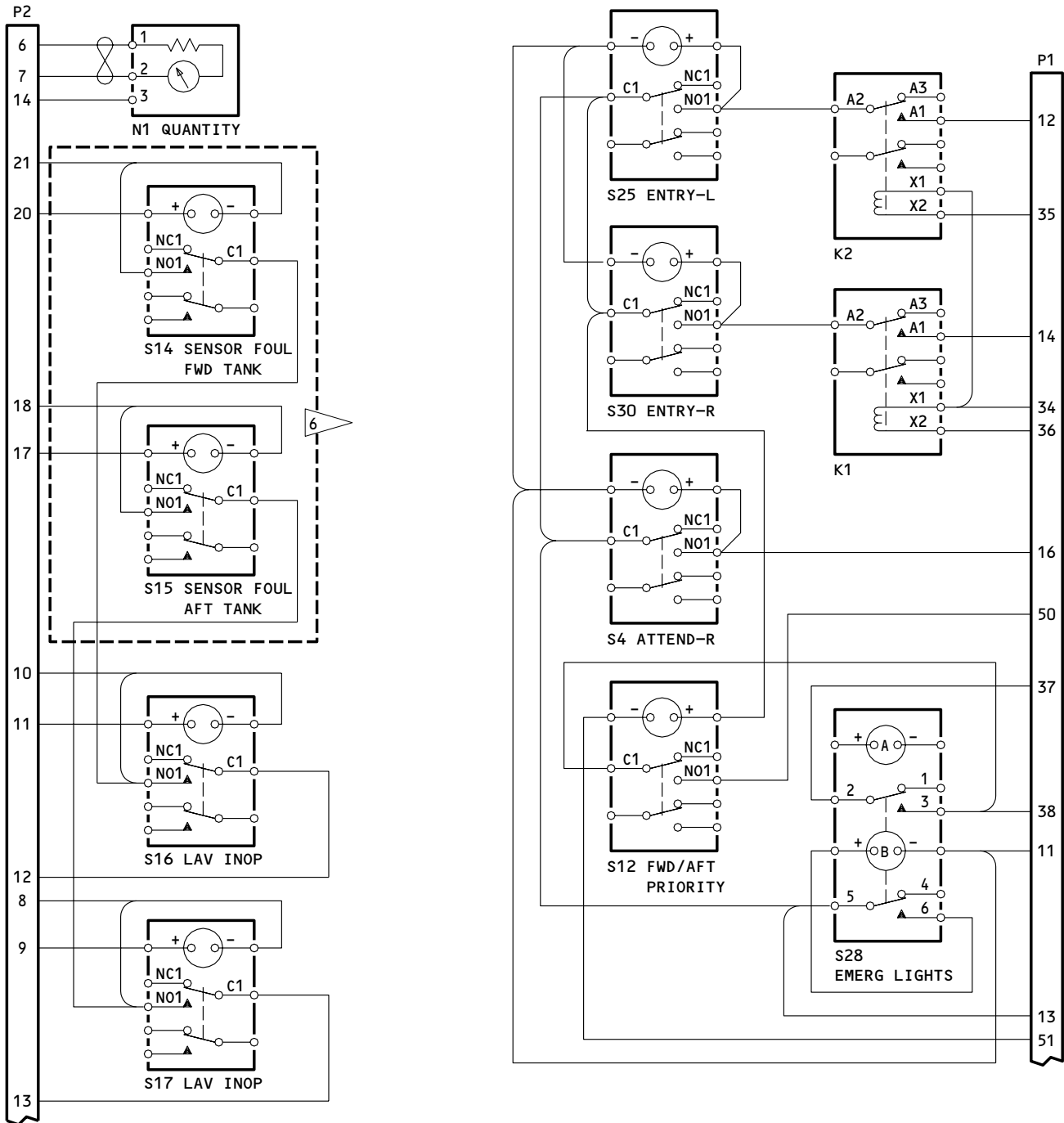
NOTE: ALL WIRE BMS 13-48, TYPE I, CLASS 1, SIZE AWG 22.

- 5 CHECK LAV ON SOME PANELS.
- 6 INSTALLED ON 285T0269-() ONLY.

417T6010-13,-24,-25,-27
 285T0629-48,-56,-60,-61

Schematic Diagram
 Figure 104 (Sheet 2)

25-29-59



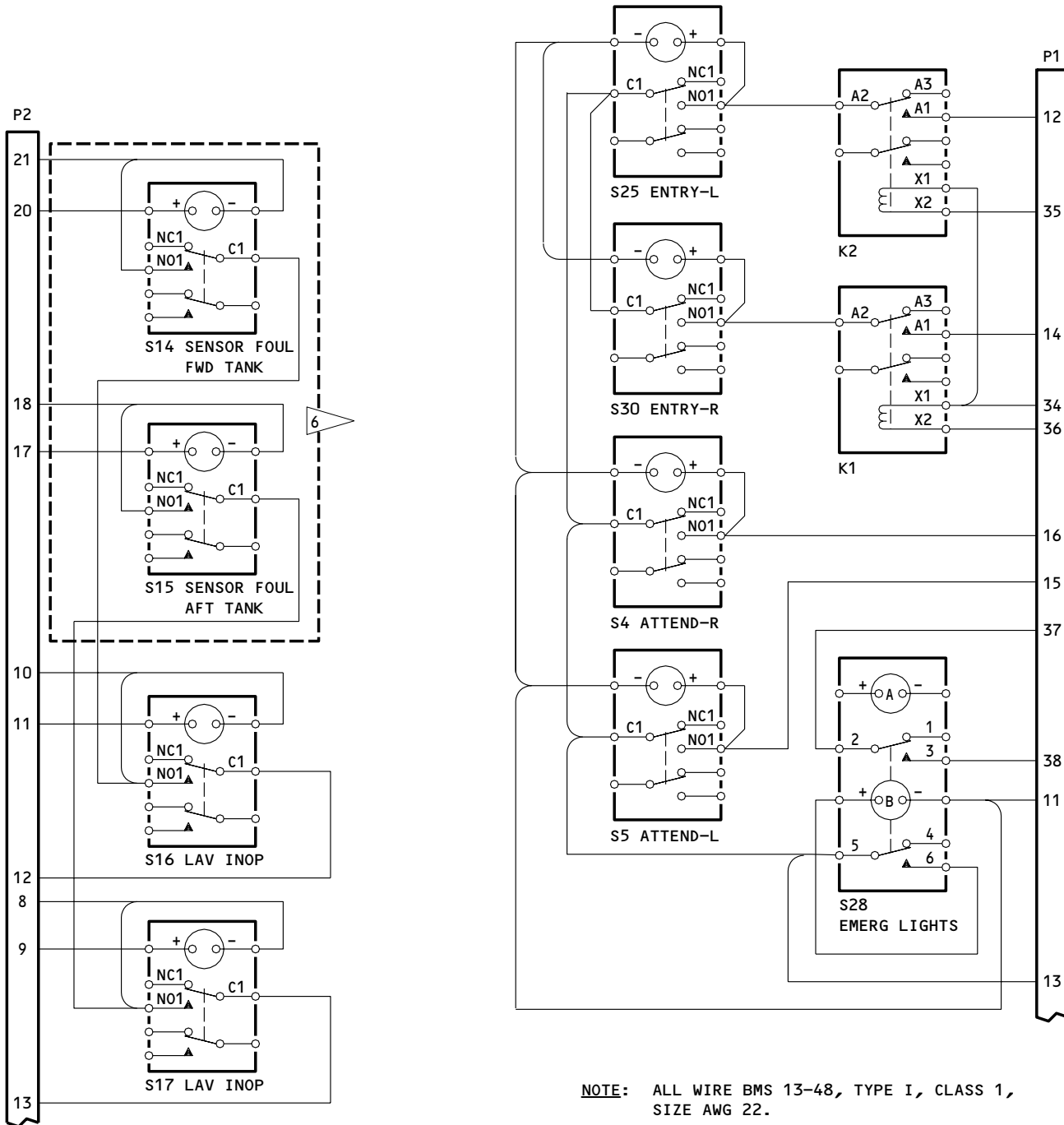
NOTE: ALL WIRE BMS 13-48, TYPE I, CLASS 1, SIZE AWG 22.

6 INSTALLED ON 285T0269-() ONLY.

417T6010-29
 285T0629-80

Schematic Diagram
 Figure 104 (Sheet 3)

25-29-59



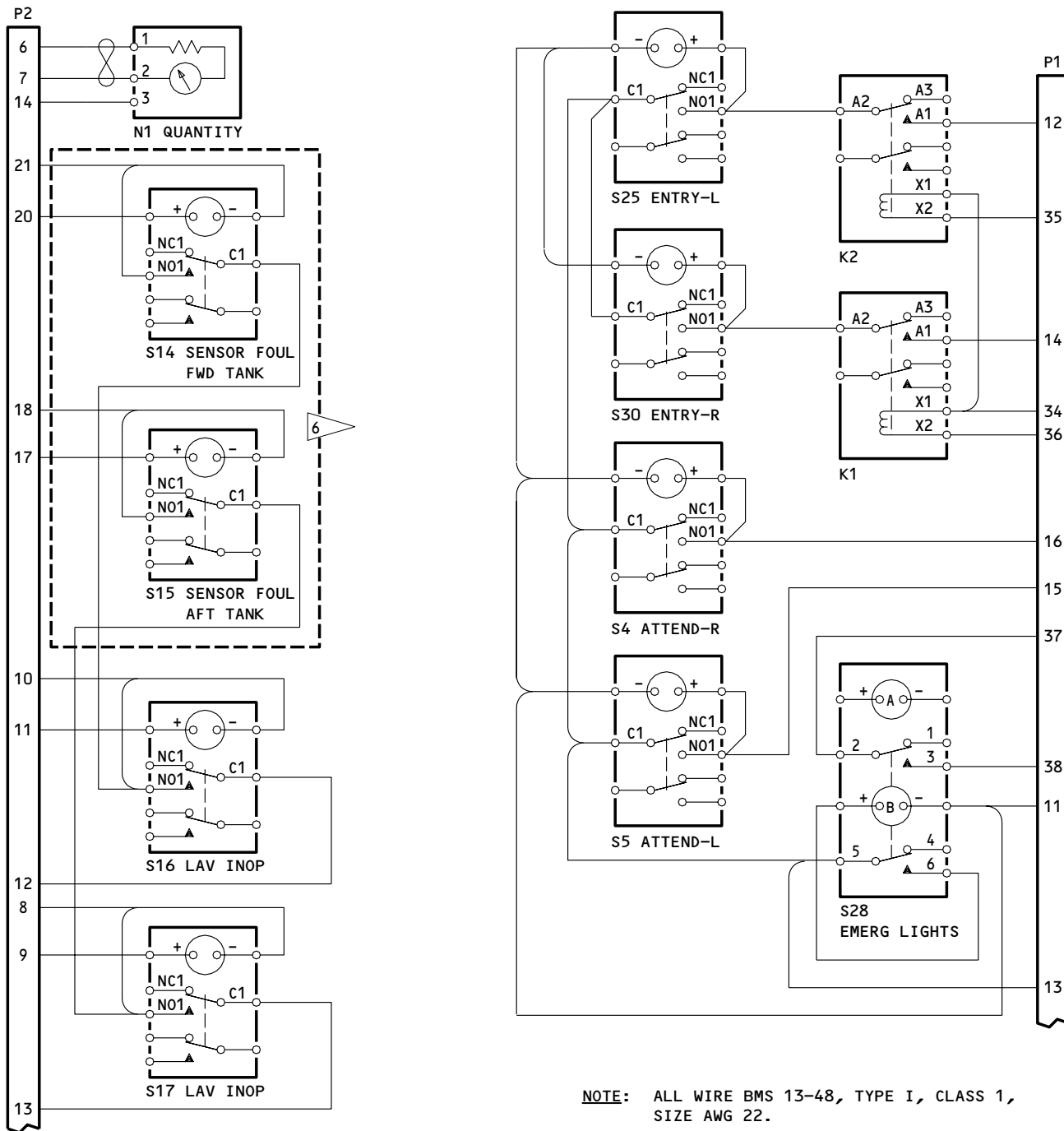
NOTE: ALL WIRE BMS 13-48, TYPE I, CLASS 1, SIZE AWG 22.

6 INSTALLED ON 285T0269-() ONLY.

417T6010-30
 285T0629-54

Schematic Diagram
 Figure 104 (Sheet 4)

25-29-59



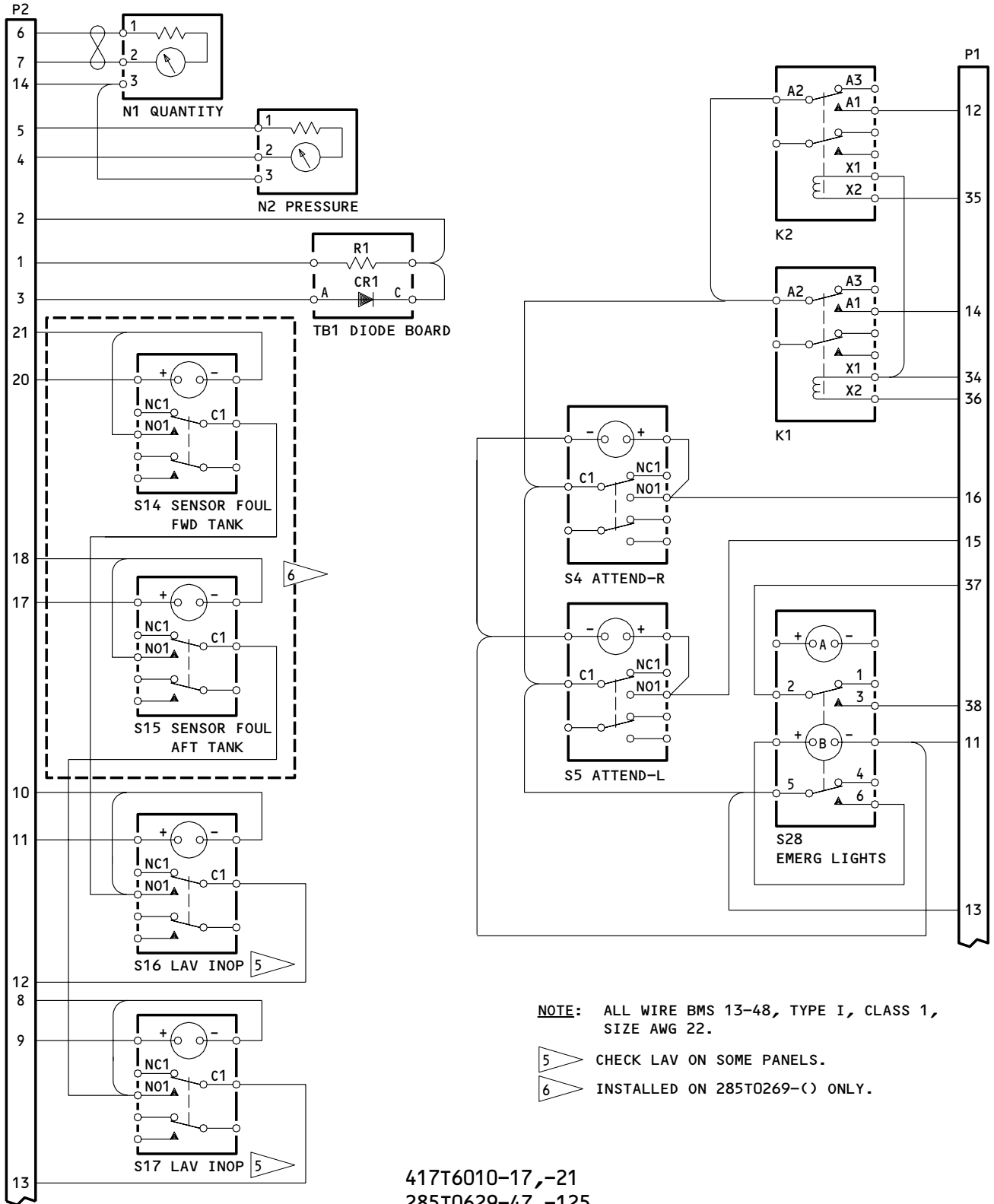
NOTE: ALL WIRE BMS 13-48, TYPE I, CLASS 1, SIZE AWG 22.

6 INSTALLED ON 285T0269-() ONLY.

417T6010-32
 285T0629-57

Schematic Diagram
 Figure 104 (Sheet 5)

25-29-59

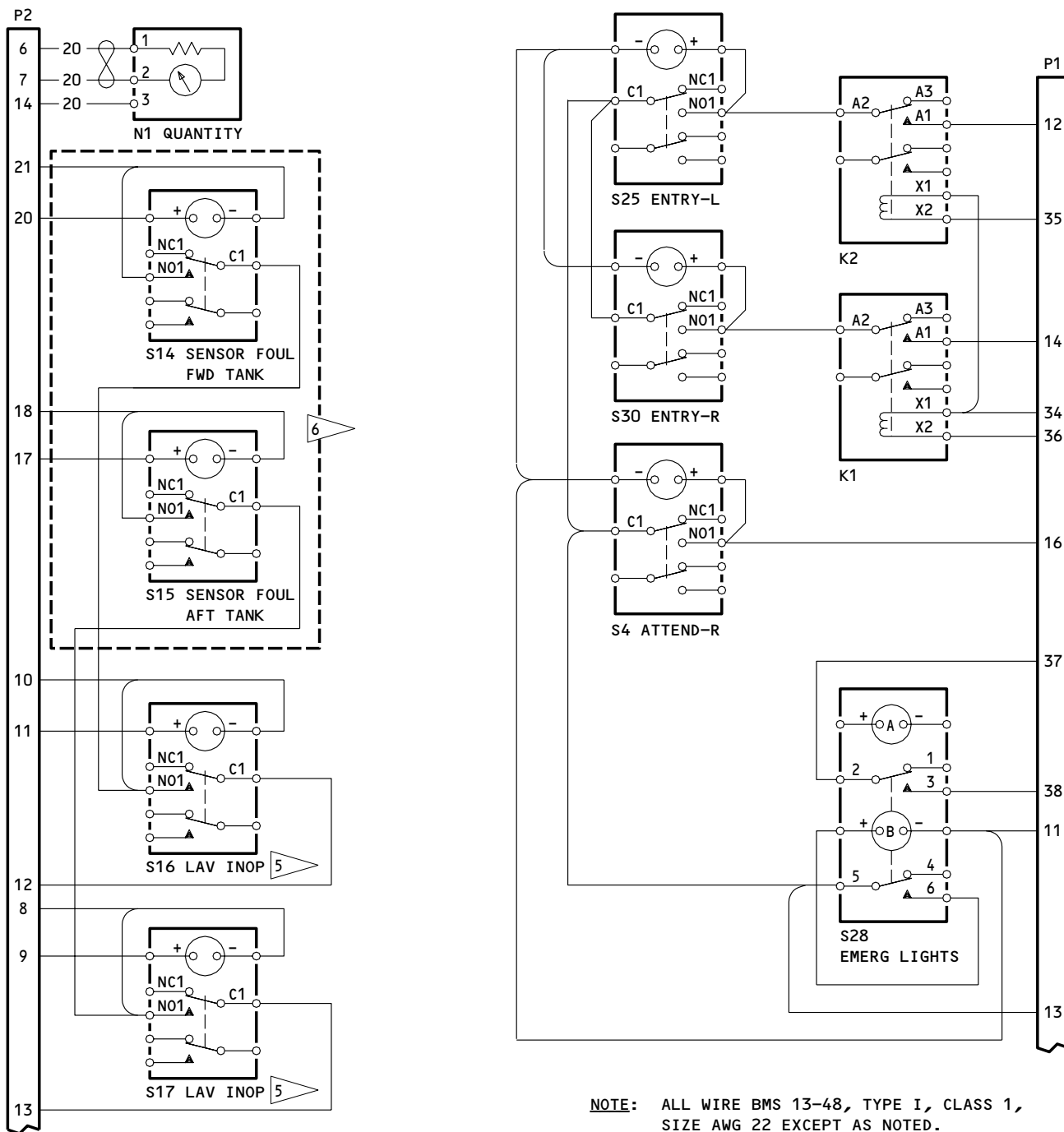


NOTE: ALL WIRE BMS 13-48, TYPE I, CLASS 1, SIZE AWG 22.

- 5 CHECK LAV ON SOME PANELS.
- 6 INSTALLED ON 285T0269-() ONLY.

417T6010-17,-21
 285T0629-47,-125
 Schematic Diagram
 Figure 104 (Sheet 6)

25-29-59



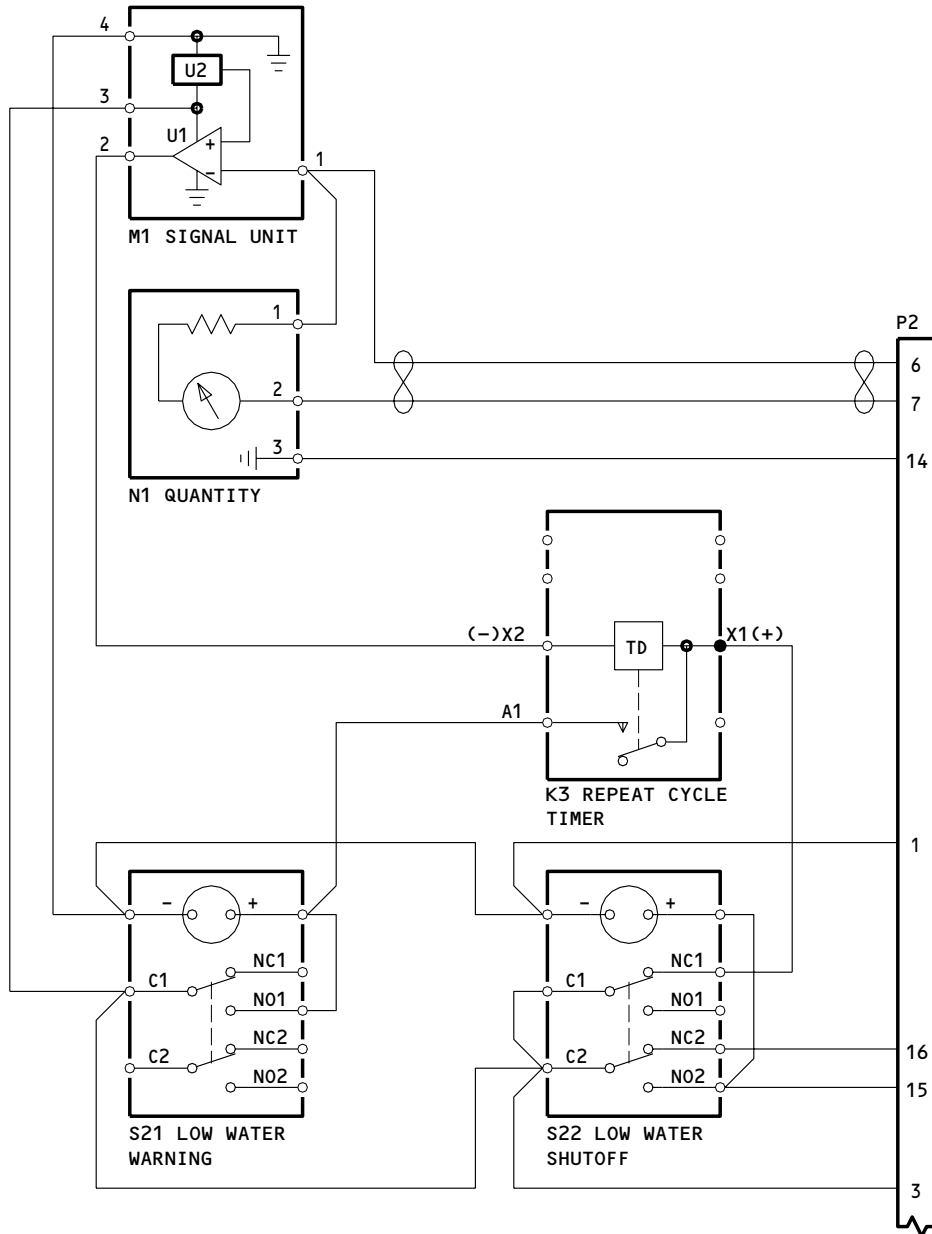
NOTE: ALL WIRE BMS 13-48, TYPE I, CLASS 1, SIZE AWG 22 EXCEPT AS NOTED.

5 CHECK LAV ON SOME PANELS.

6 INSTALLED ON 285T0269-() ONLY.

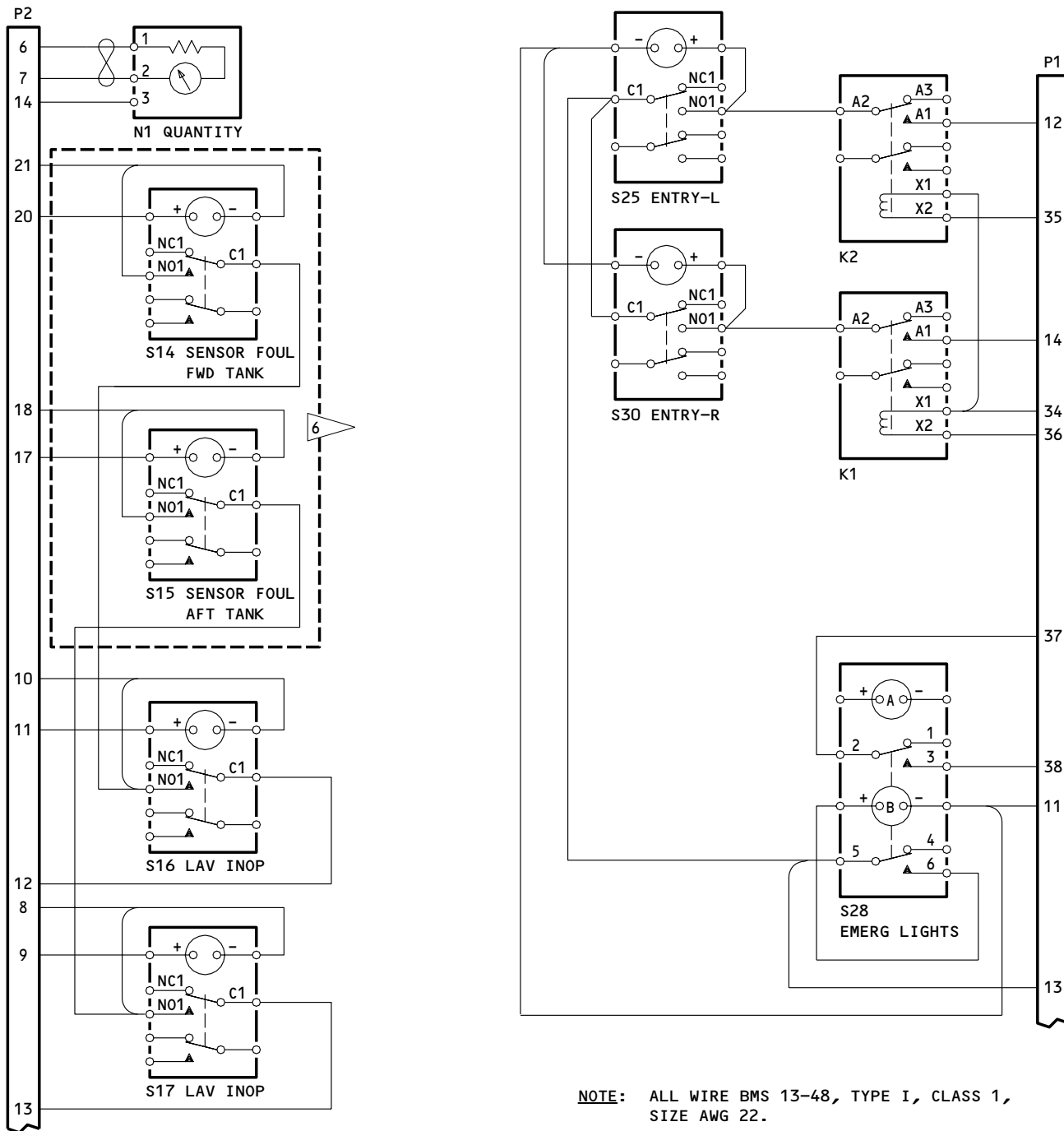
417T6010-19,-20
 285T0629-50,-51
 Schematic Diagram
 Figure 104 (Sheet 7)

25-29-59



417T6010-30
 285T0629-54
 Schematic Diagram
 Figure 104 (Sheet 8)

25-29-59



NOTE: ALL WIRE BMS 13-48, TYPE I, CLASS 1, SIZE AWG 22.

6 INSTALLED ON 285T0269-() ONLY.

417T6010-23
 285T0629-59

Schematic Diagram
 Figure 104 (Sheet 9)

25-29-59

TESTING & TROUBLE SHOOTING
 01.101 Page 122
 Mar 01/02

REPAIR

CAUTION: OBEY THE PROCEDURES IN 20-11-02, HANDLING OF ELECTROSTATIC SENSITIVE DEVICES WHEN HANDLING P/N 285T0629-54 AND 417T6010-30. ELECTROSTATIC DISCHARGE CAN CAUSE DAMAGE TO THESE COMPONENTS.

1. Materials

- A. Glyptol No. 1201 (General Electric Co., Insulating Materials Product Section, 1 Campbell Road, Schenectady, New York 12036)
- B. Xylene (also known as xylol)
- C. Solvent: Aliphatic naphtha, denatured alcohol, or isopropyl alcohol
- D. Adhesive: Scotch-Grip Insulation Adhesive 37 (3M company, 3M Center, St. Paul, Minnesota 55101)
- E. Aluminum oxide paper, 180 grit or finer
- F. Lint free wipers

2. For the repairs, use applicable procedures in 20-11-04 and standard industry practices except as follows:

- A. Bond the track (IPL Fig. 1-65; Fig. 2-190; Fig. 3-185) and relay bracket (IPL Fig. 1-70; Fig. 2-195; Fig. 3-140) to rear of faceplate assembly with type 82 adhesive. Refer to 20-50-12.
- B. Replace the wires with BMS 13-48, type I, class 1, AWG 20 except as follows:
 - (1) Wires that are between terminals of the same switch are QQ-W-343, type S tinned bus wire with insulating sleeving. Refer to MIL-I-22129 or BMS 13-48, type I, class 1.
- C. To install the rotary switch S7, apply Glyptol NO. 1201 to the threaded areas. Refer to the manufacturer's instructions.

NOTE: It can be difficult to remove switches which were installed with Glyptol No. 1201. Glyptol No. 1201 becomes soft by daubing coated threads with a swab that has xylene on it.

- D. To replace the switch S28, bond the raised bezel (IPL Fig. 1-19H,97; Fig. 2-17,128; Fig. 3-17) to the front of the new switch as follows:
 - (1) Clean the faying surface on the front of the switch and on the bezel as follows:
 - (a) Wipe with a solvent.

25-29-59

REPAIR-GENERAL

01.1

Page 601

Mar 01/99

- (b) Remove the gloss with an aluminum oxide paper.
- (c) Wipe with a clean wiper.
- (d) Again, wipe with a solvent.
- (e) Let the solvent evaporate.

CAUTION: MAKE SURE ADHESIVE DOES NOT ENTER THE SWITCH MECHANISM.
ADHESIVE MAY CAUSE SWITCH MALFUNCTION OR FAILURE.

- (2) Apply the adhesive to each faying surface (refer to the manufacturer's instructions) and let it dry (not longer than 1 hour). Put together the faying surfaces and keep the contact pressure for a least 1 hour. Prevent side and/or tension forces for 24 hours.

E. Replace the raised bezel on switch S28 as follows:

- (1) Push the switch out 0.20 inch maximum.
- (2) Remove the old bezel and adhesive.
- (3) Do D.(1) and D.(2).
- (4) Push the switch back in.

F. Replace diode module (IPL Fig. 1-165; Fig. 3-145A) and resistor module (IPL Fig. 1-160; Fig. 3-130).

- (1) Loosen the screw of the clamp nearest to the defective diode module. Remove the clamp.
- (2) Remove the defective diode and point the replacement diode so that the polarity marks (A and C) are in the same directions as on adjacent diodes.
- (3) Put the clamp back and tighten its screw.

25-29-59

REPAIR-GENERAL

01.1

Page 602

Mar 01/99

ILLUSTRATED PARTS LIST

1. This section lists and illustrates replaceable or repairable component parts. The Illustrated Parts Catalog contains a complete explanation of the Boeing part numbering system.

2. Indentures show parts relationships as follows:

Assembly

Detail Parts for Assembly

Subassembly

Attaching Parts for Subassembly

Detail Parts for Subassembly

Detail Installation Parts (Included only if installation parts may be returned to shop as part of assembly)

3. One use code letter (A, B, C, etc.) is assigned in the EFF CODE column for each variation of top assembly. All listed parts are used on all top assemblies except when limitations are shown by use code letter opposite individual part entries.

4. Letter suffixes (alpha-variants) are added to item numbers for optional parts, Service Bulletin modification parts, configuration differences (except left- and right-hand parts), product improvement parts, and parts added between two sequential item numbers. The alpha-variant is not shown on illustrations when appearance and location of all variants of the part is the same.

5. Service Bulletin modifications are shown by the notations PRE SB XXXX and POST SB XXXX.

A. When a new top assembly part number is assigned by Service Bulletin, the notations appear at the top assembly level only. The configuration differences at detail part level are then shown by use code letter.

B. When the top assembly part number is not changed by the Service Bulletin, the notations appear at the detail part level.

6. Parts Interchangeability

Optional
(OPT)

The parts are optional to and interchangeable with other parts having the same item number.

Supersedes, Superseded By
(SUPSDS, SUPSD BY)

The part supersedes and is not interchangeable with the original part.

Replaces, Replaced By
(REPLS, REPLD BY)

The part replaces and is interchangeable with, or is an alternate to, the original part.

25-29-59

VENDORS

00779 TYCO ELECTRONICS CORP
2800 FULLING MILL ROAD PO BOX 3608
MIDDLETOWN, PENNSYLVANIA 17057
FORMERLY AMP INC; FORMERLY V04618

06090 TYCO ELECTRONICS/RAYCHEM
300 CONSTITUTION DRIVE
MENLO PARK, CALIFORNIA 94025
FORMERLY RAYCLAD TUBES V08795; FORMERLY RAYCHEM CORP

09922 SOURIAU USA INC
25 GRUMBACHER DR
YORK, PENNSYLVANNIA 17402-9417
FORMERLY FRAMATOME CONNECTORS FRANCE

11815 CHERRY AEROSPACE FASTENERS DIV OF TEXTRON
1224 EAST WARNER AVENUE PO BOX 2157
SANTA ANA, CALIFORNIA 92707-0157
FORMERLY IN LOS ANGELES, CALIF , FORMERLY CHERRY FASTENERS
TOWNSEND DIV OF TEXTRON INC V71087

15084 DUPREE INC AEROSPACE KNOB CO DIV
14395 RAMONA PO BOX 1797
CHINO, CALIFORNIA 91708-1797
FORMERLY AEROSPACE KNOB CO DIV OF DUPREE INC
FORMERLY IN SOUTH EL MONTE, CALIFORNIA

15653 FAIRCHILD FASTENERS KAYNAR PRODUCTS DIV
800 S STATE COLLEGE BLVD
FULLERTON, CALIFORNIA 92831-3001
FORMERLY VK6405 MICRODOT AEROSP LTD; FORMERLY KAYNAR TECH
KAYNAR DIV

15805 FURON A E C
3711 SOUTH HUDSON STREET
SEATTLE, WASHINGTON 98118-1919
FORMERLY ASSOC IND V29762, FABRICATORS INC DIV OF
FLUOROCARBON CO AND FLUOROCARBON CO SEATTLE DIV

26014 ELECTROFORMERS INC
11 AUGUSTA DRIVE PO BOX 340
DANBURY, CONNECTICUT 06810-6241
FORMERLY HELI-COIL CORP ELECTROFORMING DIV
FORMERLY MITE CORP GAR ELECTROFORMING DIV
FORMERLY GAR ELECTROFORMING DIV ELECTROFORMERS INC

25-29-59

ILLUSTRATED PARTS LIST
01.1 Page 1002
Mar 01/04

VENDORS

29372 FAIRCHILD IND INC AEROSP FSTNRS DIV SOUTHBAY OPNS/TRIDAIR
3000 WEST LOMITA BLVD
TORRANCE, CALIFORNIA 90505-5103
FORMERLY CALFAX INC V11907; NEWTON INSERT CO V98004; REXNORD
INC SPECIALTY FASTENER DIV AND DELRON CO V82831; REXNORD
INC TRIDAIR IND

34941 HARPER ENGINEERING COMPANY
200 SOUTH TOBIN STREET
RENTON, WASHINGTON 98055-1307

35344 LEACH CORP RELAY DIV SEE LEACH CORP CONTROL PROD DIV V58657

52828 REPUBLIC FASTENER MFG CORP
1300 RANCHO CONEJO BLVD
NEWBURY PARK, CALIFORNIA 91320-1405
FORMERLY IN SYLMAR, CALIFORNIA

56623 BABCOCK INC
14930 E ALONDRA BLVD
LA MIRADA, CALIFORNIA 90638-5752
FORMERLY IN COSTS MESA, CA & IN ORANGE, CA

58657 LEACH INTERNATIONAL OF NORTH AMERICA
6900 ORANGETHORPE AVE PO BOX 5032
BUENA PARK, CALIFORNIA 90622-5032
FORMERLY LEACH CORP V35344 AND V00614

6E102 METAL FORM INC
19420 84TH AVE SOUTH EAST VALLEY HWY
KENT, WASHINGTON 98031

65092 WESTON INSTRUMENTS SEE AMETEK INC U S GAUGE DIV V61349

71087 BOOTS ACFT NUT DIV TOWNSEND CO SEE TEXTRON INC CHERRY
FASTENER TOWNSEND DIV V11815

72962 HARVARD INDUSTRIES INC
3 WERNER WAY SUITE 210
LEBANON, NEW JERSEY 08833
FORMERLY AMERACE CORP ESNA DIV
FORMERLY ELASTIC STOP NUT IN UNION, NJ

75345 KIRKHILL RUBBER CO
300 EAST CYPRESS STREET
BREA, CALIFORNIA 92621-4007
FORMERLY L.A. STANDARD RUBBER CO V84914

25-29-59

ILLUSTRATED PARTS LIST
01.1 Page 1003
Mar 01/04

VENDORS

78290 STRUTHERS-DUNN INC
SOUTH WINDSOR, CONNECTICUT 06074
OBSOLETE - SEE V00213

80539 SPS TECHNOLOGIES INC AEROSPACE PRODUCTS DIV
2701 SOUTH HARBOR BOULEVARD PO BOX 1259
SANTA ANA, CALIFORNIA 92702-1259
FORMERLY NUTT-SHEL DIV OF SPC WESTERN CO V80539
AND STANDARD PRESSED STEEL WESTERN DIV V17279

81073 GRAYHILL, INCORPORATED
561 HILLGROVE AVENUE PO BOX 10373
LA GRANGE, ILLINOIS 60525-5914

83014 HARTWELL CORPORATION
900 SOUTH RICHFIELD ROAD
PLACENTIA, CALIFORNIA 92670-6732
FORMERLY V0532B IN LOS ANGELES, CALIFORNIA

84914 LOS ANGELES STD RUBBER CO SEE KIRKHILL RUBBER CO V75345

91663 ARMEL ELECTRONICS, INCORPORATED
1601 75TH STREET
NORTH BERGEN, NEW JERSEY 07047-4046
FORMERLY BROOKLYN, NEW YORK

91929 HONEYWELL INC MICRO SWITCH DIV
11 WEST SPRING STREET
FREEPORT, ILLINOIS 61032
FORMERLY MICRO SWITCH A DIV OF HONEYWELL
FORMERLY V74059 AND V40228

92215 FAIRCHILD IND INC FAIRCHILD AEROSPACE FASTENER DIV
3010 W LOMITA BLVD
TORRANCE, CALIFORNIA 90505-5102
FORMERLY VOI-SHAN IN CULVER CITY, CALIF

94222 SOUTHCO INCORPORATED
210 NORTH BRINTONLAKE RD PO BOX 116
CONCORDVILLE, PENNSYLVANIA 19331-0116
FORMERLY SOUTH CHESTER CORP. SOUTHCO DIVN V24248
FORMERLY IN LESTER, PENNSYLVANIA

95272 STILLMAN SEL CORP
6020 AVENIDA ENCINAS
CARLSBAD, CALIFORNIA 92009-1001
FORMERLY SARGENT IND

25-29-59

ILLUSTRATED PARTS LIST
01.1 Page 1004
Mar 01/04

VENDORS

97393 SHUR-LOK CORPORATION
2541 WHITE ROAD PO BOX 19584
IRVINE, CALIFORNIA 92713
FORMERLY SHUR LOK CORP VB0060
FORMERLY IN SANTA ANA, CALIFORNIA 92714

98927 ELECSPEC CORP ELECTRONIC SPECIALITY DIV
14511 NORTHEAST 13TH AVENUE PO BOX 3501
VANCOUVER, WASHINTON 98668-3501
FORMERLY ELECTRONIC SPECIALTY CO PROTLAND ELECTRONCI DIV
FORMERLY DATRON SYSTEMS INC ELECTRONIC SPECIALITY DIV
FORMERLY IN PORTLAND, OREGON

99699 DEUTSCH RELAYS INC
55 ENGINEERS RD
HAUPPAUGE, NEW YORK 11788
FORMERLY DEUTSCH CO ELECTRONIC COMPONENTS DIV DEUTSCH RELAY

25-29-59

ILLUSTRATED PARTS LIST
01.1 Page 1005
Mar 01/04

REFERENCE DESIGNATOR INDEX (SEE SCHEMATIC DIAGRAM)

REFERENCE DESIGNATOR	PART NUMBER	FIG-ITEM
CR1	YHLZD28	1-165
CR1	YHLZD28	3-145A
DELETED	2100-3	2-135
K1	61GB19-1A320	1-40
K1	61GB19-1A320	2-55
K1	61GB19-1A320	3-55
K2	61GB19-1A320	1-40
K2	61GB19-1A320	2-55
K2	61GB19-1A320	3-55
K3	TD1482-7500	2-60
M1	285T0495-1	75
N1	522302	1-85A
N1	522302	2-110A
N1	522302	3-70
N1	522504	2-110B
N2	522303	1-80A
N2	522303	3-75A
P1	BACC45FT24B61P	1-185
P1	BACC45FT24B61P	2-160
P1	BACC45FT24B61P	3-155
P2	BACC45FT16B24P	1-190
P2	BACC45FT16B24P	2-165
P2	BACC45FT16B24P	3-160
R1	69B40800-62	1-160
R1	69B40800-62	3-130
S1	2100-13	1-120A
S1	2100-13	2-142A
S1	2100-13	3-97
S4	2100-3	1-106
S4	2100-3	2-135
S4	2100-3	3-105
S5	2100-3	1-110
S5	2100-3	2-135
S5	2100-3	3-105
S7	44MY232320	1-25
S7	44MY232320	2-35
S7	44MY232320	3-40
S12	2100-1	1-113A
S13	2100-1	2-147
S14	2100-1	1-111
S14	2100-1	2-148
S14	2100-1	3-117
S15	2100-1	1-111
S15	2100-1	2-148
S15	2100-1	3-117

25-29-59

 ILLUSTRATED PARTS LIST
 01.1 Page 1006
 Mar 01/04

REFERENCE DESIGNATOR INDEX (SEE SCHEMATIC DIAGRAM)		
REFERENCE DESIGNATOR	PART NUMBER	FIG-ITEM
S16	2100-1	1-135
S16	2100-1	2-145
S16	2100-1	3-115
S17	2100-1	1-135
S17	2100-1	2-145
S17	2100-1	3-115
S18	2100-1	2-147
S21	2100-1	145J
S22	2100-3	136
S25	2100-3	1-112
S25	2100-3	2-137
S28	2400-3	1-100A
S28	2400-3	2-125
S28	2400-3	3-90A
S30	2100-3	1-112
S30	2100-3	2-137

25-29-59

ILLUSTRATED PARTS LIST
01.1 Page 1007
Mar 01/04

PART NUMBER	AIRLINE PART NO.	FIG.	ITEM	TTL REQ
AML76C10T01P		1	130	1
		2	144	1
		2	146	2
AML78CB001		3	100	1
		1	147	15
		1	150	17
AML78FB001		1	153	16
		2	114	4
		2	116	5
		2	117	3
		2	120	11
		2	121	5
		3	85	17
AMMC6		1	95	3
		2	115	3
		3	80	3
AMY0200T5		1	155	2
		3	135	2
		1	65A	1
AN960PD6L		2	190	1
		3	185	1
		1	75A	4
		1	76A	4
		2	100	4
AN960PD8L		3	60	8
		1	10	6
		2	30	6
BACC10DK		3	30	6
		1	17	1
		2	10	1
		3	10	1

25-29-59

 ILLUSTRATED PARTS LIST
 01.1 Page 1008
 Mar 01/04

PART NUMBER	AIRLINE PART NO.	FIG.	ITEM	TTL REQ
BACC45FT16B24P		1	190	1
		2	165	1
		3	160	1
BACC45FT24B61P		1	185	1
		2	160	1
		3	155	1
BACC47DE6		1	162	2
		3	132	2
BACC47DE7		1	170A	2
		3	150	2
BACC49A1		1	155	2
		3	135	2
BACM15C1A		1	163	1
		3	140	1
BACN10JC04		2	95	3
BACN10JC06		1	77A	4
		1	78A	4
		2	105	4
		3	65	8
BACN10JC08		1	15	1
		2	5	1
		3	5	1
BACP20BA1		1	19	1
		2	15	1
		3	15	1
BACR11AM2		1	73	2
		3	193	2
		1	265	2
BACR12AG2C		2	280	1
		2	300	1
		3	260	1
		3	280	1
		1	40	2
BACR13CF2A		2	55	2
		3	55	2
		1	72	4
BACR15BA3AD		3	192	4
		1	35	2
BACS16X1		2	50	2
		3	50	2
		1	260	2
BACS21AP80R		2	275	1
		2	295	1
		3	255	1
		3	275	1

25-29-59

ILLUSTRATED PARTS LIST
01.1 Page 1009
Mar 01/04

PART NUMBER	AIRLINE PART NO.	FIG.	ITEM	TTL REQ
BACS21AP80RP		1	260A	2
		2	275A	1
		2	295A	1
		3	255A	1
		3	275A	1
BACT12AC43		2	70A	4
BACT12AR202		1	82	3
		1	87	3
		2	112	3
BACT12AR202		3	77	6
BACT44B0200U		1	65A	1
		2	190	1
		3	185	1
BACT63A51-4		1	161A	1
		3	131A	1
BAC27EEL19436		2	254	1
BAC27TPPS4103		1	233	1
BRH10A04		2	95	3
BRH10A06		1	77A	4
		1	78A	4
		2	105	4
BRH10A08		3	65	8
		1	15	1
		2	5	1
BR246S0112		3	5	1
		1	40	2
		2	55	2
BR64S104		3	55	2
		1	40	2
		2	55	2
E210-1631		3	55	2
		1	40	2
		2	55	2
		3	55	2

25-29-59

 ILLUSTRATED PARTS LIST
 01.1 Page 1010
 Mar 01/04

PART NUMBER	AIRLINE PART NO.	FIG.	ITEM	TTL REQ
E215-1050		1	40	2
		2	55	2
		3	55	2
FAB278		1	155	2
		3	135	2
FCA210-70		1	40	2
		2	55	2
		3	55	2
HRTS9917KM H10-04BAC H10-06BAC		2	65A	1
		2	95	3
		1	77A	4
		1	78A	4
		2	105	4
		3	65	8
H10-08BAC		1	15	1
		2	5	1
		3	5	1
H1002S1-5W1		1	280	1
		2	310	1
		3	290	1
H28-1		1	155	2
		3	135	2
JD4A017		1	40	2
		2	55	2
		3	55	2
KN0832JMXSZ		1	240D	6
		2	260C	6
		3	240C	6
MS35333-38		1	13	6
		2	33	6
		3	35	6
MS51830A104		1	240E	6
		2	260D	6
		3	240D	6

25-29-59

PART NUMBER	AIRLINE PART NO.	FIG.	ITEM	TTL REQ
NAS1394-08		1	240A	6
		2	260	6
		3	240	6
NAS1801-04-10		2	80A	3
NAS1801-08-4		1	5A	6
		2	25A	6
		3	25A	6
NAS43DD0-20		2	90	3
NAS620-4		2	68	4
NAS620-4L		2	85	3
NS202101-40		2	95	3
NS202101-62		1	77A	4
		1	78A	4
		2	105	4
NS202101-82		3	65	8
		1	15	1
		2	5	1
N2088		3	5	1
		1	19	1
		2	15	1
RCR42G181JS		3	15	1
		1	162J	1
		3	133	1
RD409-101		1	90	1
		2	40	1
		3	45	1
RMLH9075-40W		2	95	3
RMLH9075-62W		1	77A	4
		1	78A	4
		2	105	4
RMLH9075-82W		3	65	8
		1	15	1
		2	5	1
RT876YEL1-16		3	5	1
		1	161B	1
		3	131B	1

25-29-59

 ILLUSTRATED PARTS LIST
 01.1 Page 1012
 Mar 01/04

PART NUMBER	AIRLINE PART NO.	FIG.	ITEM	TTL REQ
SL6156-08		1	245	1
		2	265	1
		3	245	1
SZ7105		1	19	1
		2	15	1
		3	15	1
S417T600-1		1	85A	1
		2	110A	1
		3	70	1
S417T600-2		2	110B	1
		1	80A	1
S417T601-1		3	75A	1
TD1482-7500		2	60	1
		1	240C	6
TNC2C0164		2	260B	6
		3	240B	6
		2	95	3
T6S440J		1	77A	4
T6S632J		1	78A	4
		2	105	4
		3	65	8
T6S832J		1	15	1
		2	5	1
		3	5	1
UP103		1	155	2
		3	135	2
		2	95	3
VN303A40		1	77A	4
		1	78A	4
VN303A62		2	105	4
		3	65	8
		1	15	1
VN303A82		2	5	1
		3	5	1
		1	165	1
YHLZD28		3	145A	1
		1	163	1
YHLZ2		3	140	1
		1	163	1
YHLZ22		3	140	1
		1	240B	6
		2	260A	6
1185-2CN0164		3	240A	6
		1	240B	6
		2	260A	6

25-29-59

ILLUSTRATED PARTS LIST
01.1 Page 1013
Mar 01/04

PART NUMBER	AIRLINE PART NO.	FIG.	ITEM	TTL REQ
2-295		1	73	2
		3	193	2
2100-1		1	111	2
		1	113A	1
		1	135	2
		2	145	2
		2	145J	1
		2	147	2
		2	148	2
		3	115	2
		3	117	2
2100-100		1	115	1
		1	116	2
		1	117	1
		1	118	2
		2	140	4
		2	140A	2
		2	141	1
		2	145P	1
		2	149	1
		3	110	2
		3	127	2
2100-101		1	125	1
		2	143	1
		3	98	1
2100-103		2	158	2
2100-104		1	140	1
		2	150	1
		3	120	1
2100-105		1	145	1
		2	155	1
		3	125	1
2100-110		1	119	1
2100-13		1	120A	1
		2	142A	1
		3	97	1
2100-130		2	150C	1
2100-131		2	155C	1
2100-134		1	140G	1
		2	150H	1
2100-135		1	145G	1
		2	155H	1

25-29-59

 ILLUSTRATED PARTS LIST
 01.1 Page 1014
 Mar 01/04

PART NUMBER	AIRLINE PART NO.	FIG.	ITEM	TTL REQ
2100-136		2	150J	1
2100-137		2	155J	1
2100-159		2	158A	2
2100-3		1	106	1
		1	110	1
		1	112	2
		2	135	2
		2	136	1
		2	137	2
		3	105	2
2400-100		1	105	1
		2	130	1
		3	95	1
2400-102		1	105A	1
		2	130A	1
2400-3		1	100A	1
		2	125	1
		3	90A	1
285T0495-1		2	75	1
285T0620-25		1	223	1
		2	216	1
		3	202	1
285T0620-27		1	222	1
		2	217	1
		3	203	1
285T0629-125		1	2T	RF
		3	1B	RF
285T0629-48		1	2H	RF
		2	1P	RF
285T0629-50		1	2J	RF
		2	1Q	RF
285T0629-56		1	2M	RF
		2	1R	RF
285T0629-60		1	2Q	RF
		2	1S	RF
285T0629-61		1	2R	RF
		2	1T	RF
285T0629-80		1	2S	RF
323912		2	70A	4
417T6005-2		1	250	1
417T6005-2		2	270	1
		3	250	1
417T6005-4		1	255	1
		2	290	1
		3	270	1

25-29-59

PART NUMBER	AIRLINE PART NO.	FIG.	ITEM	TTL REQ
417T6007-1		1	235	1
		2	255	1
		3	235	1
417T6007-2		1	285	1
		2	315	1
		3	295	1
417T6007-4		1	280	1
		2	310	1
		3	290	1
417T6007-6		1	290A	1
		2	320	1
		3	300	1
417T6007-8		1	290B	1
		2	320A	1
		3	300A	1
417T6009-20		1	20J	1
417T6009-21		3	20A	1
417T6009-22		1	20K	1
417T6009-23		2	20B	1
417T6009-3		1	20A	1
417T6009-31		2	20C	1
417T6009-34		2	20D	1
417T6009-37		2	20E	1
417T6009-39		1	20P	1
417T6009-41		2	20F	1
417T6009-45		1	20Q	1
417T6009-7		1	20C	1
417T6010-13		1	1M	RF
417T6010-17		1	1R	RF
417T6010-19		3	1A	RF
		1	1T	RF
		2	1D	RF

25-29-59

 ILLUSTRATED PARTS LIST
 01.1 Page 1016
 Mar 01/04

PART NUMBER	AIRLINE PART NO.	FIG.	ITEM	TTL REQ
417T6010-24		1	1Y	RF
		2	1E	RF
417T6010-25		1	1Z	RF
		2	1F	RF
417T6010-27		1	2A	RF
417T6010-27		2	1G	RF
417T6010-29		1	2D	RF
417T6010-30		1	2E	RF
		2	1H	RF
417T6010-32		1	2F	RF
417T6011-13		1	45B	1
417T6011-29		1	45C	1
		3	165A	1
417T6011-37		2	170C	1
417T6011-9		1	45A	1
		2	170	1
417T6012-11		1	205	1
		2	215	1
417T6012-13		1	210	1
		2	220	1
417T6012-19		1	216	1
417T6012-2		1	195	3
		2	205	3
		3	195	3
417T6012-27		2	251	1
417T6012-29		2	252	1
417T6012-3		1	222A	1
		1	223A	1
		1	225	15
		1	227	14
		1	228	13
		2	210	9
		2	211	4
		2	212	5
		2	213	3
		2	214	5
		2	216A	1
		2	217A	1
		3	200	15
		3	202A	1
		3	203A	1

25-29-59

PART NUMBER	AIRLINE PART NO.	FIG.	ITEM	TTL REQ
417T6012-35		1	230	2
417T6012-37		1	215A	1
		3	210	1
417T6012-39		1	220A	1
		3	215	1
417T6012-4		1	200	1
		2	225	1
417T6012-40		1	203	1
		3	205	1
417T6012-43		1	229	1
417T6012-49		2	245	1
417T6012-5		1	221	1
		2	227	1
		3	230	1
417T6012-51		2	250	1
417T6012-53		1	230A	2
		2	243	2
		3	225	2
417T6012-7		1	215	1
		2	230	1
417T6012-9		1	220	1
		2	235	1
417T6014-3		1	270	1
		2	285	1
		3	265	1
417T6014-6		1	275	1
		2	305	1
		3	285	1
417T6017-1		1	70	2
		2	195	2
		3	190	2

25-29-59

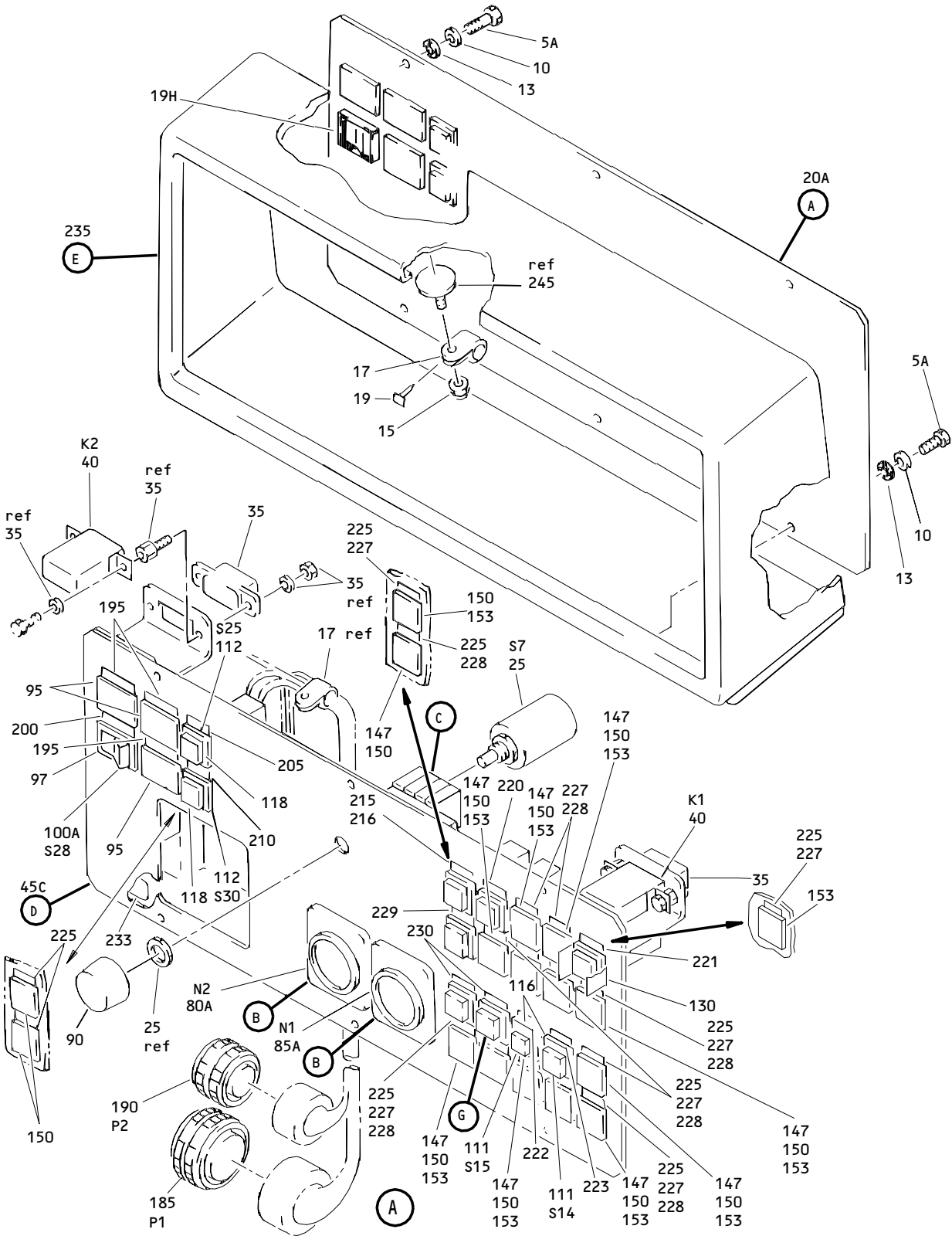
ILLUSTRATED PARTS LIST
 01.1 Page 1018
 Mar 01/04

PART NUMBER	AIRLINE PART NO.	FIG.	ITEM	TTL REQ
417T6017-2		1	71	2
		3	191	2
417T6017-3		1	74	2
		3	194	2
417T6017-4		1	67	1
		2	200	1
417T6017-5		1	67A	1
		2	200A	1
417T6019-1		1	19H	1
		1	97	1
		2	17	1
		2	128	1
44MY232320		3	17	1
		1	25	1
		2	35	1
		3	40	1
4841		1	19	1
		2	15	1
		3	15	1
51863-3		1	82	3
		1	87	3
		2	112	3
		3	77	6
522302		1	85A	1
		2	110A	1
		3	70	1
522303		1	80A	1
		3	75A	1
522504		2	110B	1
60729-1		2	202A	1
61GB19-1A320		1	40	2
		2	55	2
		3	55	2
		2	202	1
61048-1		1	160	1
69B40800-62		3	130	1
		1	260A	2
82-99-341-08		2	275A	1
		2	295A	1
		3	255A	1
		3	275A	1
		3	275A	1

25-29-59

PART NUMBER	AIRLINE PART NO.	FIG.	ITEM	TTL REQ
82-99-342-15		1	73	2
		3	193	2
		2	95	3
96-40		1	77A	4
96-62		1	78A	4
		2	105	4
		3	65	8
96-82		1	15	1
		2	5	1
		3	5	1

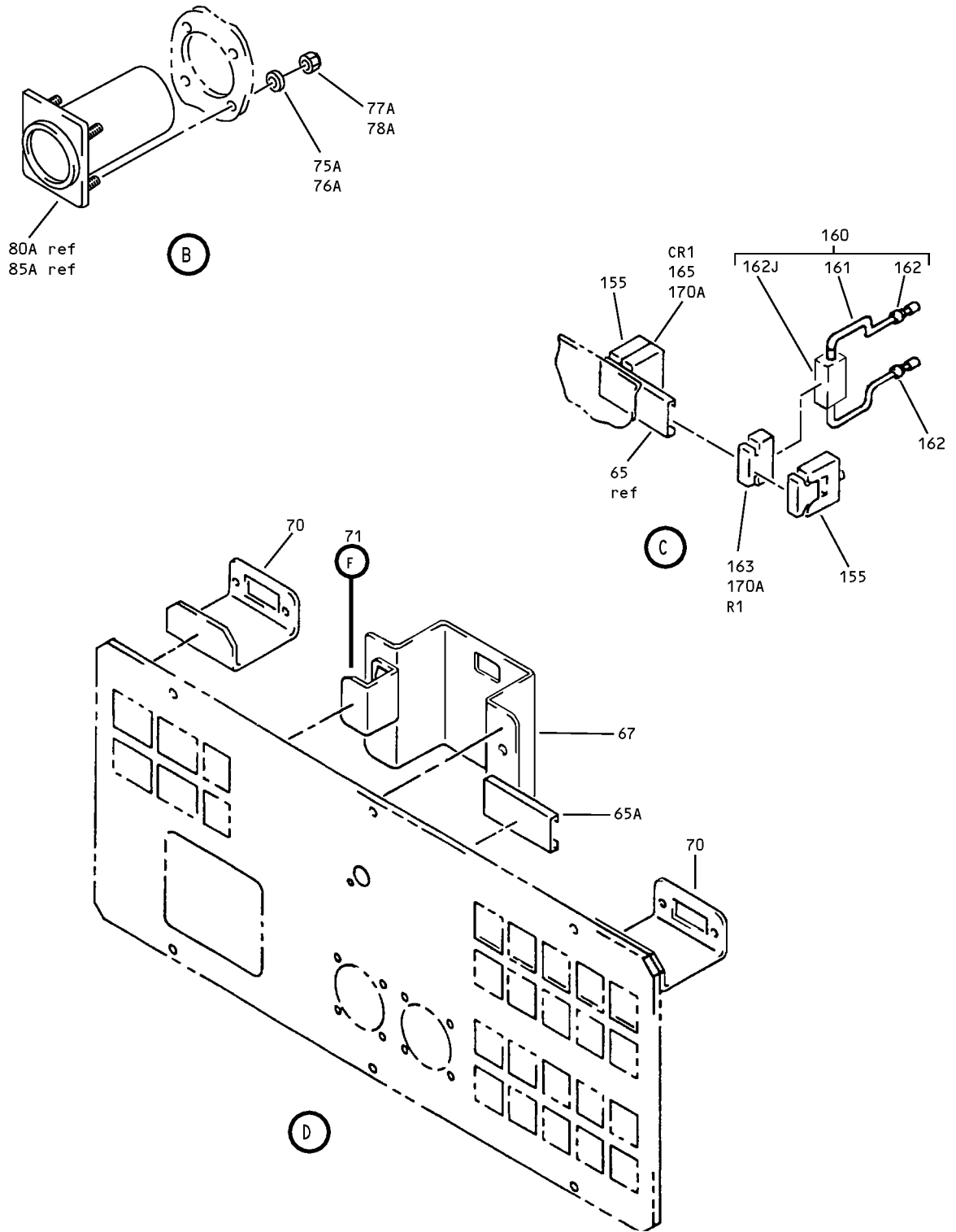
25-29-59



**Aft Attendants Panel Assembly
 Figure 1 (Sheet 1)**

25-29-59

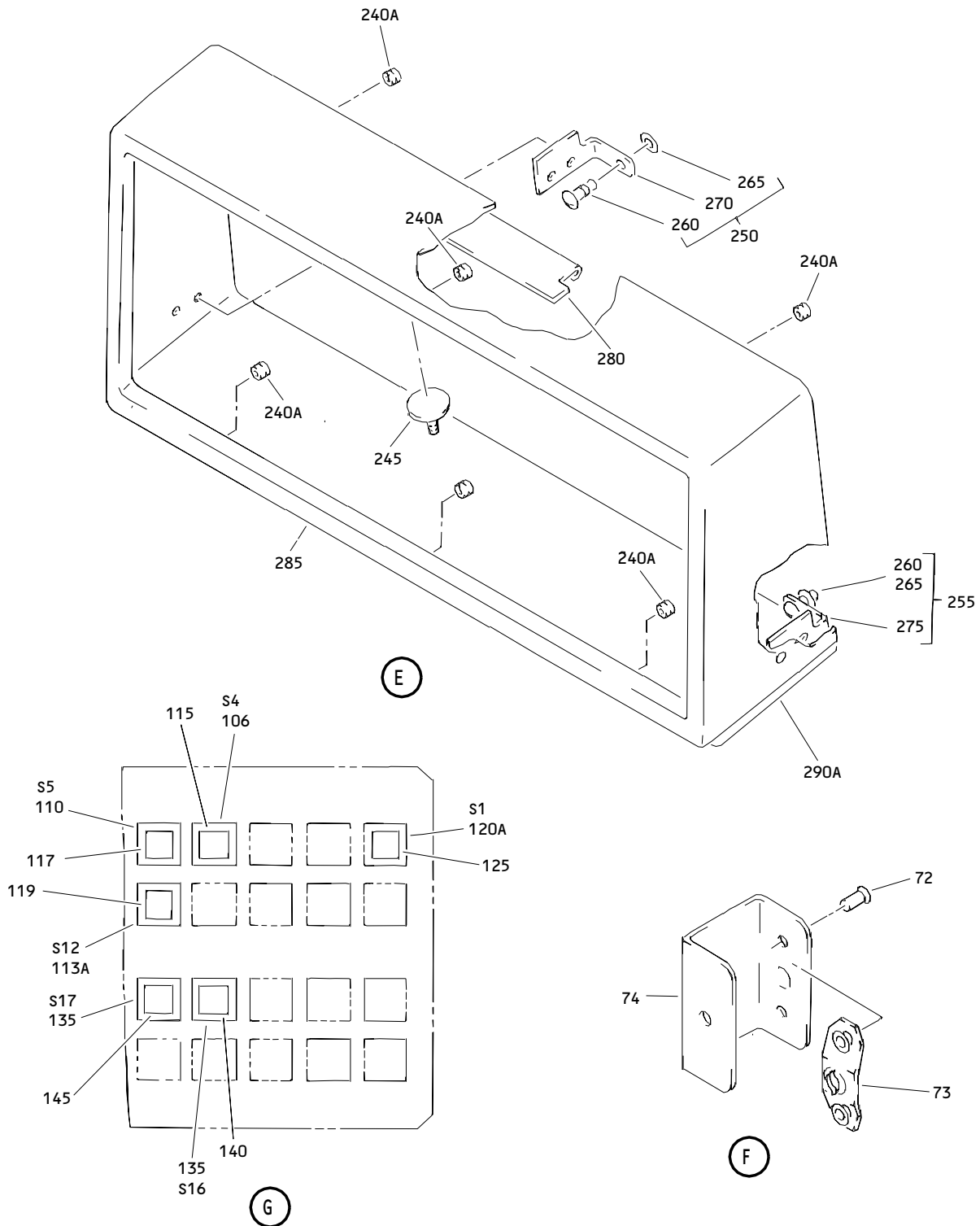
ILLUSTRATED PARTS LIST
 01.1 Page 1022
 Mar 01/04



Aft Attendants Panel Assembly
 Figure 1 (Sheet 2)

25-29-59

ILLUSTRATED PARTS LIST
 01.1 Page 1023
 Mar 01/04



Aft Attendants Panel Assembly
 Figure 1 (Sheet 3)

25-29-59

ILLUSTRATED PARTS LIST
 01.1 Page 1024
 Mar 01/04

FIG. & ITEM	PART NO.	AIRLINE PART NUMBER	NOMENCLATURE 1234567	EFF CODE	QTY PER ASSY
01- -1M	417T6010-13		PANEL ASSY-AFT ATTENDANTS (PRE SB 417T6010-25-02)	B	RF
-1R	417T6010-17		PANEL ASSY-AFT ATTENDANTS (FOR DETAILS SEE FIG. 3) (PRE SB 417T6010-25-02)	J	RF
-1T	417T6010-19		PANEL ASSY-AFT ATTENDANTS (PRE SB 417T6010-25-02)	H	RF
-1U	417T6010-20		PANEL ASSY-AFT ATTENDANTS (PRE SB 417T6010-25-02)	D	RF
-1V	417T6010-21		PANEL ASSY-AFT ATTENDANTS (PRE SB 417T6010-25-02)	E	RF
-1X	417T6010-23		PANEL ASSY-AFT ATTENDANTS (FOR DETAILS SEE FIG. 2) (PRE SB 417T6010-25-02)	L	RF
-1Y	417T6010-24		PANEL ASSY-AFT ATTENDANTS (FOR DETAILS SEE FIG. 2) (PRE SB 417T6010-25-02)	M	RF
-1Z	417T6010-25		PANEL ASSY-AFT ATTENDANTS (FOR DETAILS SEE FIG. 2) (PRE SB 417T6010-25-02)	N	RF
-2A	417T6010-27		PANEL ASSY-AFT ATTENDANTS (FOR DETAILS SEE FIG. 2) (PRE SB 417T6010-25-02)	K	RF
-2D	417T6010-29		PANEL ASSY-AFT ATTENDANTS (PRE SB 417T6010-25-02)	A	RF
-2E	417T6010-30		PANEL ASSY-AFT ATTENDANTS (STATIC SENSITIVE PART) (FOR DETAILS SEE FIG. 2) (PRE SB 417T6010-25-02)	C	RF
-2F	417T6010-32		PANEL ASSY-AFT ATTENDANTS (PRE SB 417T6010-25-02)	G	RF
-2G	285T0629-47		PANEL ASSY-AFT ATTENDANTS (FOR DETAILS SEE FIG. 3) (POST SB 417T6010-25-02)	F	RF
-2H	285T0629-48		PANEL ASSY-AFT ATTENDANTS (FOR DETAILS SEE FIG. 2) (POST SB 417T6010-25-02)	P	RF
-2J	285T0629-50		PANEL ASSY-AFT ATTENDANTS (POST SB 417T6010-25-02)	Q	RF
-2K	285T0629-51		PANEL ASSY-AFT ATTENDANTS (POST SB 417T6010-25-02)	R	RF
-2L	285T0629-54		PANEL ASSY-AFT ATTENDANTS (FOR DETAILS SEE FIG. 2) (POST SB 417T6010-25-02)	S	RF

25-29-59

ILLUSTRATED PARTS LIST
01.1 Page 1025
Mar 01/04

FIG. & ITEM	PART NO.	AIRLINE PART NUMBER	NOMENCLATURE 1234567	EFF CODE	QTY PER ASSY
01- -2M	285T0629-56		PANEL ASSY-AFT ATTENDANTS (POST SB 417T6010-25-02)	T	RF
-2N	285T0629-57		PANEL ASSY-AFT ATTENDANTS (POST SB 417T6010-25-02)	U	RF
-2P	285T0629-59		PANEL ASSY-AFT ATTENDANTS (FOR DETAILS SEE FIG. 2) (POST SB 417T6010-25-02)	V	RF
-2Q	285T0629-60		PANEL ASSY-AFT ATTENDANTS (FOR DETAILS SEE FIG. 2) (POST SB 417T6010-25-02)	W	RF
-2R	285T0629-61		PANEL ASSY-AFT ATTENDANTS (FOR DETAILS SEE FIG. 2) (POST SB 417T6010-25-02)	X	RF
-2S	285T0629-80		PANEL ASSY-AFT ATTENDANTS (POST SB 417T6010-25-02)	Y	RF
-2T	285T0629-125		PANEL ASSY-AFT ATTENDANTS (POST SB 417T6010-25-02)	Z	RF
5A	NAS1801-08-4		.SCREW	A,B,D ,E,G, H,Q,R ,T,U, Y,Z	6
10	AN960PD8L		.WASHER	A,B,D ,E,G, H,Q,R ,T,U, Y,Z	6
13	MS35333-38		.WASHER	A,B,D ,E,G, H,Q,R ,T,U, Y,Z	6

25-29-59

 ILLUSTRATED PARTS LIST
 01.1 Page 1026
 Mar 01/04

FIG. & ITEM	PART NO.	AIRLINE PART NUMBER	NOMENCLATURE 1234567	EFF CODE	QTY PER ASSY
01-15	H10-08BAC		.NUT- (V15653) (SPEC BACN10JC08) (OPT NS202101-82 (V80539)) (OPT RMLH9075-82W (V72962)) (OPT T6S832J (V71087)) (OPT VN303A82 (V92215)) (OPT 96-82 (V80539)) (OPT BRH10A08 (V52828))	A,B,D ,E,G, H,Q,R ,T,U, Y,Z	1
17	BACC10DK		.CLAMP- (SIZE DETERMINE ON INST)	A,B,D ,E,G, H,Q,R ,T,U, Y,Z	1
19	N2088		.PLUG- (V75345) (SPEC BACP20BA1) (OPT SZ7105 (V95272)) (OPT 4841 (V84914))	A,B,D ,E,G, H,Q,R ,T,U, Y,Z	1
19H	417T6019-1		.BEZEL-EMER LT TEST SW RAISED	B,D,E ,H,Q, R,T,Z	1

25-29-59

FIG. & ITEM	PART NO.	AIRLINE PART NUMBER	NOMENCLATURE 1234567	EFF CODE	QTY PER ASSY
01-					
20A	417T6009-3		.WIRING ASSY-FACEPLATE	B,T	1
-20C	417T6009-7		.WIRING ASSY-FACEPLATE	D,Q	1
-20J	417T6009-20		.WIRING ASSY-FACEPLATE	H,R	1
-20K	417T6009-22		.WIRING ASSY-FACEPLATE	E,Z	1
-20P	417T6009-39		.WIRING ASSY-FACEPLATE	A,Y	1
-20Q	417T6009-45		.WIRING ASSY-FACEPLATE	G,U	1
25	44MY232320		..SWITCH-ROTARY (S7) (V81073)	A,B,D ,E,G, H,Q,R ,T,U, Y,Z	1
35	BACS16X1		..SOCKET	A,B,D ,E,G, H,Q,R ,T,U, Y,Z	2
40	61GB19-1A320		..RELAY- (V98927) (SPEC BACR13CF2A) (OPT JD4A017 (V35344)) (OPT BR64S104 (V56623)) (OPT BR246S0112 (V56623)) (OPT FCA210-70 (V78290)) (OPT E215-1050 (V99699)) (OPT E210-1631 (V99699)) (K1, K2)	A,B,D ,E,G, H,Q,R ,T,U, Y,Z	2

25-29-59

 ILLUSTRATED PARTS LIST
 01.1 Page 1028
 Mar 01/04

FIG. & ITEM	PART NO.	AIRLINE PART NUMBER	NOMENCLATURE 1234567	EFF CODE	QTY PER ASSY
01-					
-45A	417T6011-9		..FACEPLATE ASSY	B,T	1
-45B	417T6011-13		..FACEPLATE ASSY	A,D,G ,H,Q, R,U,Y	1
45C	417T6011-29		..FACEPLATE ASSY	E,Z	1
-50A	417T6011-10		DELETED		
-50B	417T6011-14		DELETED		
50C	417T6011-30		DELETED		
-55A	417T6011-11		DELETED		
55B	417T6011-15		DELETED		
55C	417T6011-31		DELETED		
-60A	417T6011-12		DELETED		
-60B	417T6011-16		DELETED		
60C	417T6011-32		DELETED		
65A	AMY0200T5		...TRACK-UNDRILLED (V09922) (SPEC BACT44B0200U)	B,E,T ,Z	1
67	417T6017-4		...BRACKET-RELAY MTG (OPT ITEM 67A)	B,T	1
-67A	417T6017-5		...BRACKET-RELAY MTG (OPT ITEM 67)	B,T	1
70	417T6017-1		...BRACKET-RELAY MTG	A,B,D ,E,G, H,Q,R ,T,U, Y,Z	2
71	417T6017-2		...BRACKET ASSY-MTG	A,D,E ,G,H, Q,R,U ,Y,Z	2
72	BACR15BA3AD	RIVET- (SIZE DETERMINE ON INST)	A,D,E ,G,H, Q,R,U ,Y,Z	2
73	82-99-342-15	RECEPTACLE- (V94222) (SPEC BACR11AM2) (OPT 2-295 (V94222))	A,D,E ,G,H, Q,R,U ,Y,Z	1
74	417T6017-3	BRACKET	A,D,E ,G,H, Q,R,U ,Y,Z	1
75A	AN960PD6L		..WASHER	E,Z	4

25-29-59

FIG. & ITEM	PART NO.	AIRLINE PART NUMBER	NOMENCLATURE 1234567	EFF CODE	QTY PER ASSY
01-76A	AN960PD6L		..WASHER	A,B,D E,G, H,Q,R T,U, Y,Z	4
77A	H10-06BAC		..NUT- (V15653) (SPEC BACN10JC06) (OPT RMLH9075-62W (V72962)) (OPT T6S632J (V11815)) (OPT VN303A62 (V92215)) (OPT 96-62 (V80539)) (OPT BRH10A06 (V52828)) (OPT NS202101-62 (V80539))	E,Z	4
78A	H10-06BAC		..NUT- (V15653) (SPEC BACN10JC06) (OPT RMLH9075-62W (V72962)) (OPT T6S632J (V11815)) (OPT VN303A62 (V92215)) (OPT 96-62 (V80539)) (OPT BRH10A06 (V52828)) (OPT NS202101-62 (V80539))	A,B,D E,G, H,Q,R T,U, Y,Z	4

25-29-59

 ILLUSTRATED PARTS LIST
 01.1 Page 1030
 Mar 01/04

FIG. & ITEM	PART NO.	AIRLINE PART NUMBER	NOMENCLATURE 1234567	EFF CODE	QTY PER ASSY
01-80A	522303		..INDICATOR- (V65092) (N2) (SPEC S417T601-1)	E,Z	1
-82	51863-3		..TERMINAL- (V00779) (SPEC BACT12AR202) (USED WITH ITEM 80A)	E,Z	3
85A	522302		..INDICATOR- (V65092) (N1) (SPEC S417T600-1)	A,B,D ,E,G, H,Q,R ,T,U, Y,Z	1
-87	51863-3		..TERMINAL- (V00779) (SPEC BACT12AR202) (USED WITH ITEM 85A)	A,B,D ,E,G, H,Q,R ,T,U, Y,Z	3
90	RD409-101		..KNOB- (V15084)	A,B,D ,E,G, H,Q,R ,T,U, Y,Z	1
95	AML78FB001		..PLUG-RECTANGULAR (V91929)	A,B,D ,E,G, H,Q,R ,T,U, Y,Z	3
97	417T6019-1		..BEZEL-EMER LT TEST SW RAISED	A,G,U ,Y	1

25-29-59

FIG. & ITEM	PART NO.	AIRLINE PART NUMBER	NOMENCLATURE 1234567	EFF CODE	QTY PER ASSY
01-100A	2400-3		..SWITCH-ROCKER (V91929) (S28)	A,B,D ,E,G, H,Q,R ,T,U, Y,Z	1
105	2400-100		..LENS-WHITE (V91929)	A,D,E ,G,H, Q,R,U ,Y,Z	1
-105A	2400-102		..LENS-WHITE (V91929)	B,T	1
106	2100-3		..SWITCH-TWO POLE ALTERNATING (V91929) (S4)	A,B,D ,E,G, H,Q,R ,T,U, Y,Z	1
110	2100-3		..SWITCH-TWO POLE ALTERNATING (V91929) (S5)	B,E,G ,T,U, Z	1
111	2100-1		..SWITCH-TWO POLE MOM (V91929) (S14,S15)	F,P-Z	2
112	2100-3		..SWITCH-TWO POLE ALTERNATING (V91929) (S25, S30)	A,B,D ,G,H, Q,R,T ,U,Y	2
113A	2100-1		..SWITCH-TWO POLE MOM (V91929) (S12)	A,Y	1
115	2100-100		..LENS-NO INSERT WHITE (V91929)	A,B,D ,E,G, H,Q,R ,T,U, Y,Z	1

25-29-59

 ILLUSTRATED PARTS LIST
 01.1 Page 1032
 Mar 01/04

FIG. & ITEM	PART NO.	AIRLINE PART NUMBER	NOMENCLATURE 1234567	EFF CODE	QTY PER ASSY
01-116	2100-100		..LENS-NO INSERT WHITE (V91929)	F,P-Z	2
117	2100-100		..LENS-NO INSERT WHITE (V91929)	B,E,G ,T,U, Z	1
118	2100-100		..LENS-NO INSERT WHITE (V91929)	A,B,D ,G,H, Q,R,T ,U,Y	2
119	2100-110		..LENS-NO INSERT WHITE (V91929)	A,Y	1
120A	2100-13		..SWITCH-FOUR POLE ALT (V91929) (S1)	E,G,U ,Z	1
125	2100-101		..LENS-WHITE (V91929)	E,G,U ,Z	1
130	AML76C10T01P		..GUARD-SWITCH (V91929)	E,G,U ,Z	1
135	2100-1		..SWITCH-TWO POLE MOM (V91929) (S16, S17)	A,B,D ,E,G, H,Q,R ,T,U, Y,Z	2
140	2100-104		..LENS-LEGEND WHITE (V91929)	B,D,E ,G,H, Q,R,T ,U,Z	1
-140G	2100-134		..LENS-LEGEND WHITE (V91929)	A,Y	1
145	2100-105		..LENS-LEGEND WHITE (V91929)	B,D,E ,G,H, Q,R,T ,U,Z	1
-145G	2100-135		..LENS-LEGEND WHITE (V91929)	A,Y	1
147	AML78CB001		..PLUG-SQUARE (V91929)	G,U	15
150	AML78CB001		..PLUG-SQUARE (V91929)	D,E,H ,Q,R, Z	17

25-29-59

ILLUSTRATED PARTS LIST
01.1 Page 1033
Mar 01/04

FIG. & ITEM	PART NO.	AIRLINE PART NUMBER	NOMENCLATURE 1234567	EFF CODE	QTY PER ASSY
01-153	AML78CB001		..PLUG-SQUARE (V91929)	A,B,T ,Y	16
155	AMMC6		..CLAMP ASSY-END- (V09922) (SPEC BACC49A1) (OPT FAB278 (V15805)) (OPT H28-1 (V34941)) (OPT UP103 (V6E102))	E,Z	2
160	69B40800-62		..RESISTOR ASSY- (R1)	E,Z	1
161	RT876YELI16		DELETED		
R 161A	BACT63A51-4		...TUBING-SHRINKABLE (OPT ITEM 161B)	E,Z	1
R -161B	RT876YEL1-16		...TUBING-SHRINKABLE (V06090) (OPT ITEM 161A)	E,Z	1
162	BACC47DE6		...PIN-CONTACT	E,Z	2
162J	RCR42G181JS		...RESISTOR-180 OHMS, 2W, +/- 5 PCT	E,Z	1
163	YHLZ2		..MODULE- (V09922) (SPEC BACM15C1A) (OPT YHLZ22 (V09922))	E,Z	1
165	YHLZD28		..MODULE-DIODE (V09922) (CR1)	E,Z	1
170A	BACC47DE7		..CONTACT	E,Z	AR
185	BACC45FT24B61P		..CONNECTOR- (EQUIPMENT NO. D1650) (P1)	A,B,D ,E,G, H,Q,R ,T,U, Y,Z	1

25-29-59

 ILLUSTRATED PARTS LIST
 01.1 Page 1034
 Mar 01/04

FIG. & ITEM	PART NO.	AIRLINE PART NUMBER	NOMENCLATURE 1234567	EFF CODE	QTY PER ASSY
01-190	BACC45FT16B24P		..CONNECTOR- (EQUIPMENT NO. D1176) (P2)	A,B,D ,E,G, H,Q,R ,T,U, Y,Z	1
195	417T6012-2		..DECAL-SLIP IN	A,B,D ,E,G, H,Q,R ,T,U, Y,Z	3
200	417T6012-4		..DECAL-SLIP IN (EMER LTS)	A,B,D ,G,H, Q,R,T ,U,Y, Z	1
-203	417T6012-40		..DECAL-SLIP IN (EMER LTS TEST)	E,Z	1
205	417T6012-11		..DECAL-SLIP IN (ENTRY-L)	A,B,D ,G,H, Q,R,T ,U,Y	1
210	417T6012-13		..DECAL-SLIP IN (ENTRY-R)	A,B,D ,G,H, Q,R,T ,U,Y	1
215	417T6012-7		..DECAL-SLIP IN (ATTEND-L)	B,T	1
-215A	417T6012-37		..DECAL-SLIP IN (WORK LT L)	E,Z	1
216	417T6012-19		..DECAL-SLIP IN (ATTEND-6)	G,U	1
220	417T6012-9		..DECAL-SLIP IN (ATTEND-R)	A,B,D ,H,Q, R,T,Y	1

25-29-59

FIG. & ITEM	PART NO.	AIRLINE PART NUMBER	NOMENCLATURE 1234567	EFF CODE	QTY PER ASSY
01-					
-220A	417T6012-39		..DECAL-SLIP IN (WORK LT R)	E,Z	1
221	417T6012-5		..DECAL-SLIP IN (EMER LT)	E,G,U ,Z	1
222	285T0620-27		..DECAL-SNSR FOUL FWD TANK	F,P-Z	1
-222A	417T6012-3		..DECAL-SLIP IN (NO LEGEND)	A,B,D ,E,G, H	1
223	285T0620-25		..DECAL-SNSR FOUL AFT TANK	F,P-Z	1
-223A	417T6012-3		..DECAL-SLIP IN (NO LEGEND)	A,B,D ,E,G, H	1
225	417T6012-3		..DECAL-SLIP IN (NO LEGEND)	D,E,H ,Q,R, Z	15
227	417T6012-3		..DECAL-SLIP IN (NO LEGEND)	A,B,T ,Y	14
228	417T6012-3		..DECAL-SLIP IN (NO LEGEND)	G,U	13
229	417T6012-43		..DECAL-FWD/AFT PRIORITY	A,Y	1
230	417T6012-35		..DECAL-SLIP IN (CHK LAV)	D,E,Q ,Z	2
-230A	417T6012-53		..DECAL-SLIP IN (LAV INOP)	A,B,G ,H,R, T,U,Y	2
233	BAC27TPPS4103		..MARKER-ALUM FOIL-M883 EM. EVAC	A,D,G ,H,Q, R,U,Y	1
235	417T6007-1		.SHROUD ASSY	A,B,D ,E,G, H,Q,R ,T,U, Y,Z	1
240A	NAS1394-08		..INSERT- (OPT ITEMS 240B, 240C, 240D, 240E)	A,B,D ,E,G, H,Q,R ,T,U, Y,Z	6

25-29-59

ILLUSTRATED PARTS LIST
01.1 Page 1036
Mar 01/04

FIG. & ITEM	PART NO.	AIRLINE PART NUMBER	NOMENCLATURE 1234567	EFF CODE	QTY PER ASSY
R 01- -240B	1185-2CN0164		..INSERT- (V26014) (OPT ITEM 240A, 240C, 240D, 240E)	A,B,D ,E,G, H,Q,R ,T,U, Y,Z	6
R -240C	TNC2C0164		..INSERT- (V29372) (OPT ITEM 240A, 240B, 240D, 240E)	A,B,D ,E,G, H,Q,R ,T,U, Y,Z	6
R -240D	KN0832JMXSZ		..INSERT- (V29372) (OPT ITEMS 240A, 240B, 240C, 240E)	A,B,D ,E,G, H,Q,R ,T,U, Y,Z	6
R -240E	MS51830A104		..INSERT- (OPT ITEMS 240A, 240B, 240C, 240D)	A,B,D ,E,G, H,Q,R ,T,U, Y,Z	6
245	SL6156-08		..STUD- (V97393)	A,B,D ,E,G, H,Q,R ,T,U, Y,Z	1
250	417T6005-2		..BRACKET ASSY-MTG	A,B,D ,E,G, H,Q,R ,T,U, Y,Z	1
255	417T6005-4		..BRACKET ASSY-MTG	A,B,D ,E,G, H,Q,R ,T,U, Y,Z	1
260	BACS21AP80R		...STUD- (OPT ITEM 260A)	A,B,D ,E,G, H,Q,R ,T,U, Y,Z	1
-260A	82-99-341-08		...STUD- (V94222) (SPEC BACS21AP80RP) (OPT ITEM 260)	A,B,D ,E,G, H,Q,R ,T,U, Y,Z	1

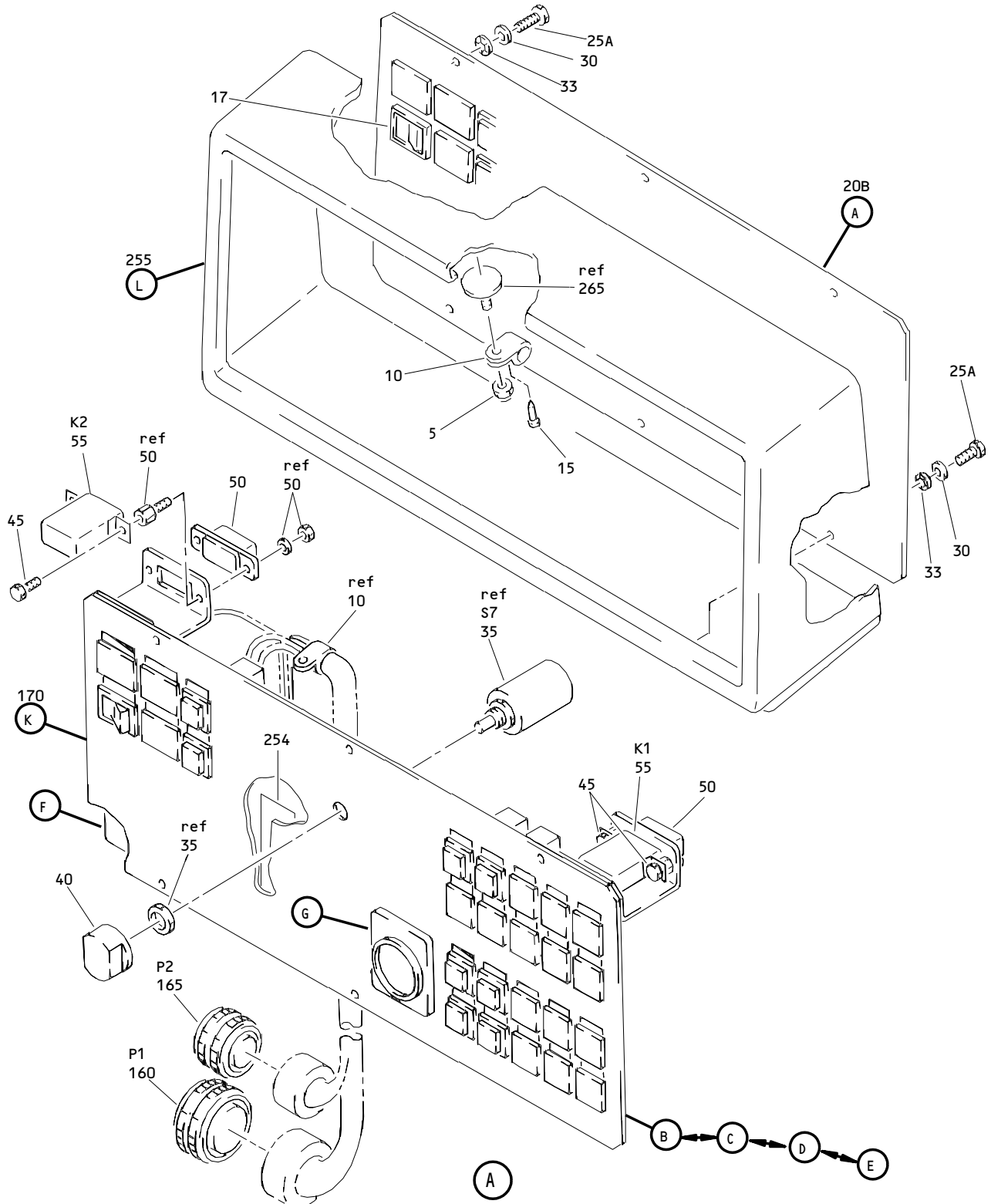
25-29-59

FIG. & ITEM	PART NO.	AIRLINE PART NUMBER	NOMENCLATURE 1234567	EFF CODE	QTY PER ASSY
01-265	BACR12AG2C		...RING- (V94222) (SPEC BACR12AG2C)	A,B,D ,E,G, H,Q,R ,T,U, Y,Z	1
270	417T6014-3		...BRACKET-MTG (USED ON ITEM 250)	A,B,D ,E,G, H,Q,R ,T,U, Y,Z	1
275	417T6014-6		...BRACKET-MTG (USED ON ITEM 255)	A,B,D ,E,G, H,Q,R ,T,U, Y,Z	1
280	417T6007-4		..HINGE- (ALT FROM H1002S1-5W1)	A,B,D ,E,G, H,Q,R ,T,U, Y,Z	1
-280A 285	H1002K2183 417T6007-2		DELETED ..SHROUD	A,B,D ,E,G, H,Q,R ,T,U, Y,Z	1
290A	417T6007-6		..SKIRT-BOTTOM (OPT ITEM 290B)	A,B,D ,E,G, H,Q,R ,T,U, Y,Z	1
-290B	417T6007-8		..SKIRT-BOTTOM (OPT ITEM 290A)	A,B,D ,E,G, H,Q,R ,T,U, Y,Z	1

- Item Not Illustrated

25-29-59

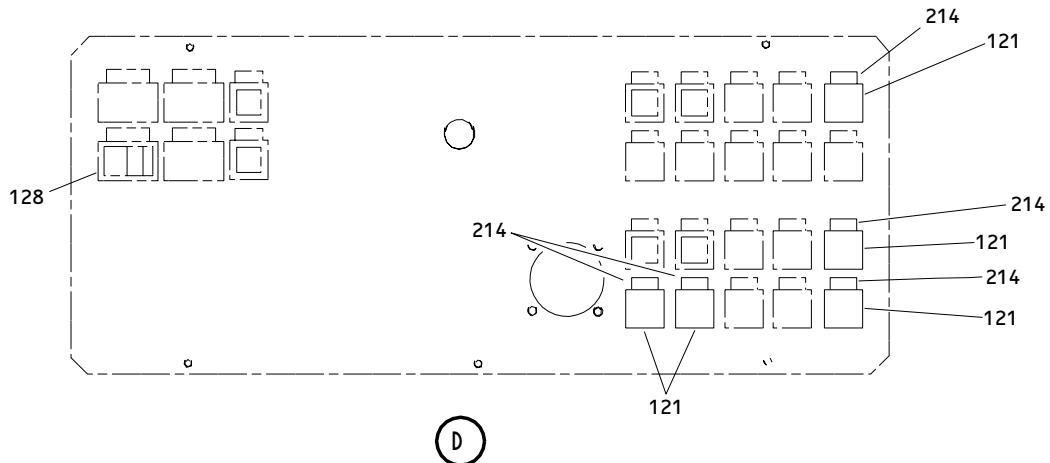
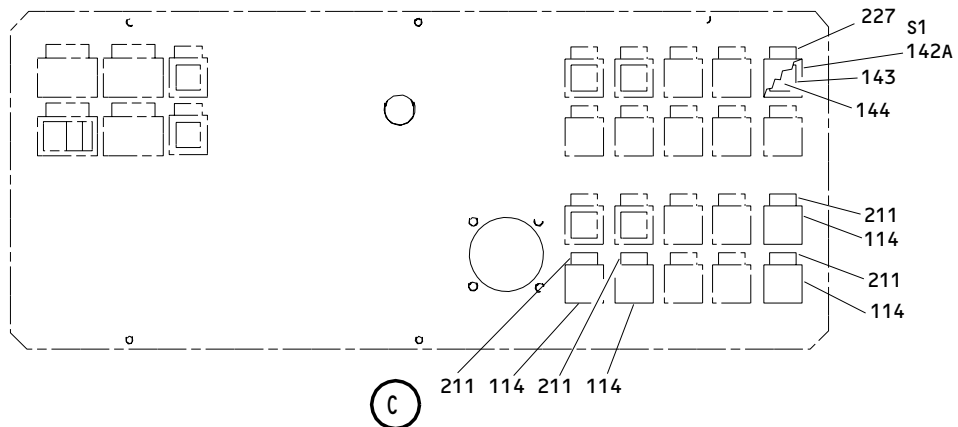
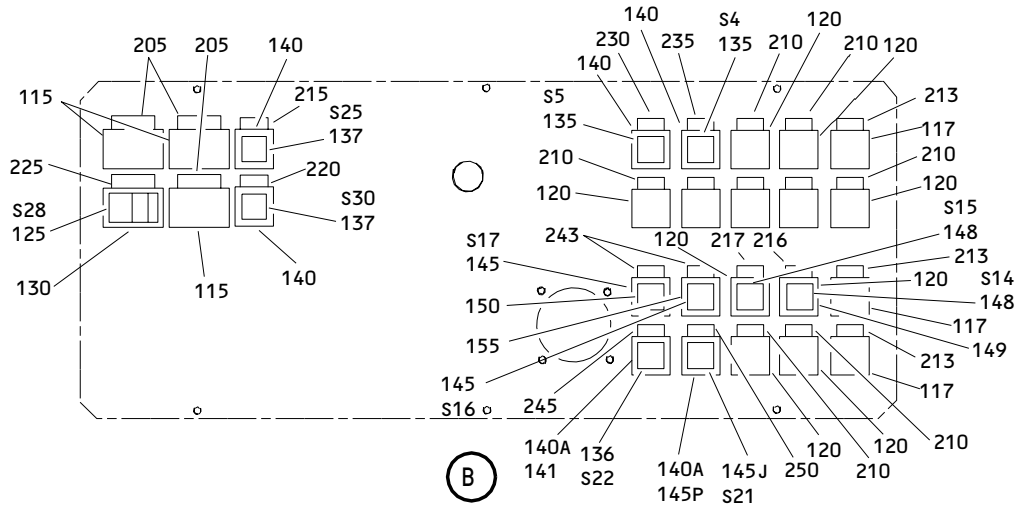
ILLUSTRATED PARTS LIST
01.1 Page 1038
Mar 01/04



Aft Attendants Panel Assembly
Figure 2 (Sheet 1)

25-29-59

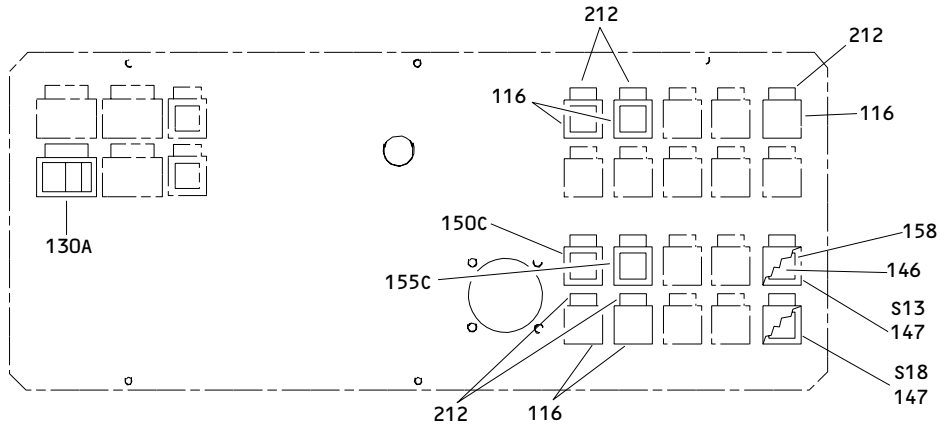
ILLUSTRATED PARTS LIST
01.1 Page 1039
Mar 01/04



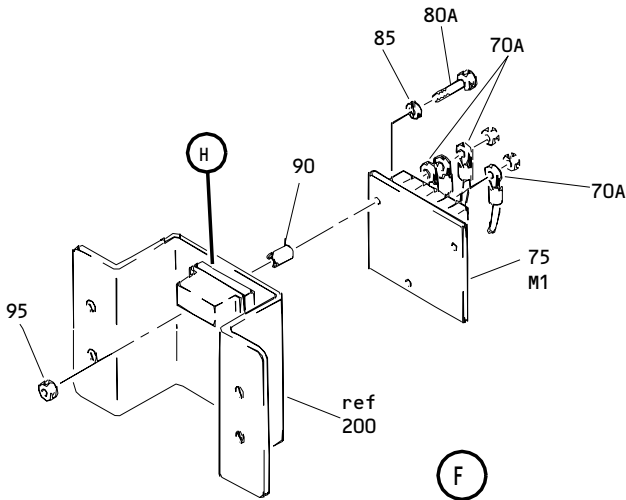
Aft Attendants Panel Assembly
 Figure 2 (Sheet 2)

25-29-59

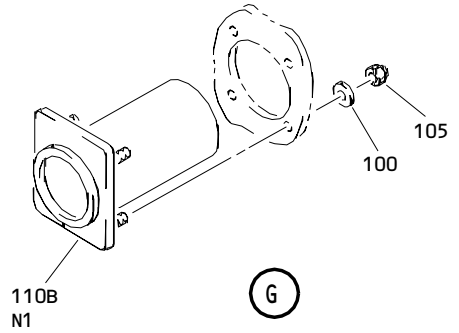
ILLUSTRATED PARTS LIST
 01.1 Page 1040
 Mar 01/04



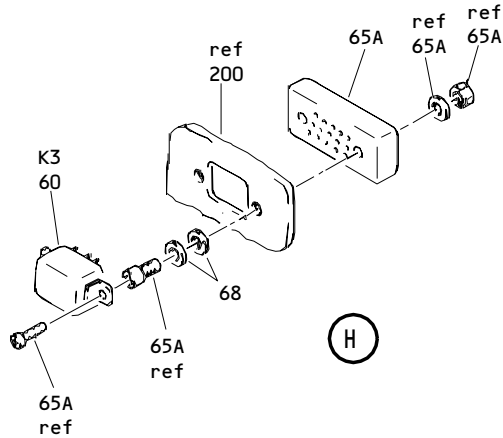
(E)



(F)



(G)

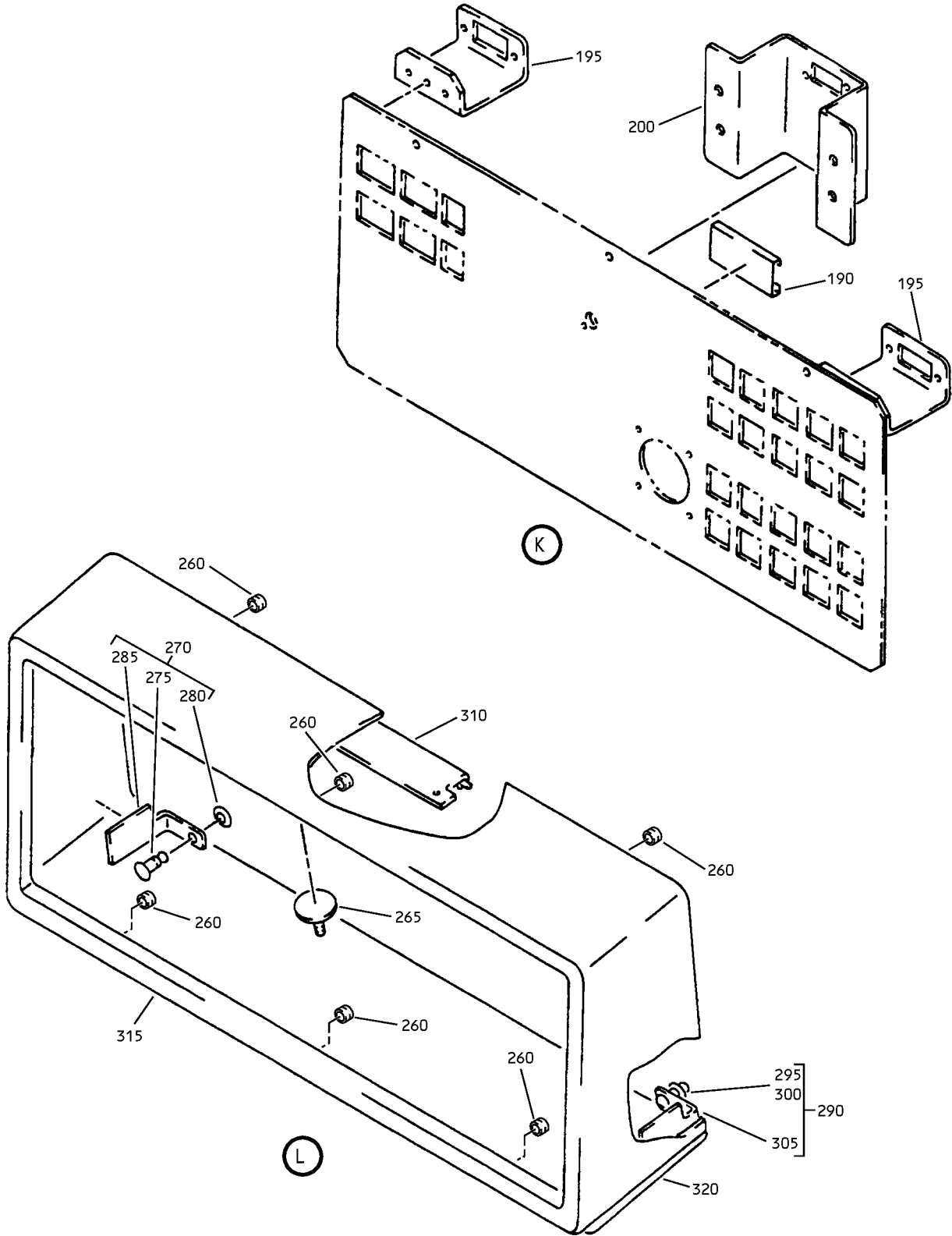


(H)

Aft Attendants Panel Assembly
 Figure 2 (Sheet 3)

25-29-59

ILLUSTRATED PARTS LIST
 01.1 Page 1041
 Mar 01/04



Aft Attendants Panel Assembly
 Figure 2 (Sheet 4)

25-29-59

ILLUSTRATED PARTS LIST
 01.1 Page 1042
 Mar 01/04

FIG. & ITEM	PART NO.	AIRLINE PART NUMBER	NOMENCLATURE 1234567	EFF CODE	QTY PER ASSY
02-					
-1D	417T6010-23		PANEL ASSY-AFT ATTENDANTS (PRE SB 417T6010-25-02)	L	RF
-1E	417T6010-24		PANEL ASSY-AFT ATTENDANTS (PRE SB 417T6010-25-02)	M	RF
-1F	417T6010-25		PANEL ASSY-AFT ATTENDANTS (PRE SB 417T6010-25-02)	N	RF
-1G	417T6010-27		PANEL ASSY-AFT ATTENDANTS (PRE SB 417T6010-25-02)	K	RF
-1H	417T6010-30		PANEL ASSY-AFT ATTENDANTS (STATIC SENSITIVE PART) (PRE SB 417T6010-25-02)	C	RF
-1J	417T6010-48		DELETED		
-1K	417T6010-54		DELETED		
-1L	417T6010-59		DELETED		
-1M	417T6010-60		DELETED		
-1N	417T6010-61		DELETED		
-1P	285T0629-48		PANEL ASSY-AFT ATTENDANTS (POST SB 417T6010-25-02)	P	RF
-1Q	285T0629-54		PANEL ASSY-AFT ATTENDANTS (POST SB 417T6010-25-02)	S	RF
-1R	285T0629-59		PANEL ASSY-AFT ATTENDANTS (POST SB 417T6010-25-02)	V	RF
-1S	285T0629-60		PANEL ASSY-AFT ATTENDANTS (POST SB 417T6010-25-02)	W	RF
-1T	285T0629-61		PANEL ASSY-AFT ATTENDANTS (POST SB 417T6010-25-02)	X	RF
5	H10-08BAC		.NUT- (V15653) (SPEC BACN10JC08) (OPT NS202101-82 (V80539)) (OPT RMLH9075-82W (V72962)) (OPT T6S832J (V71087)) (OPT VN303A82 (V92215)) (OPT 96-82 (V80539)) (OPT BRH10A08 (V52828))	C,K-P ,S,V, W,X	1
10	BACC10DK		.CLAMP- (SIZE DETERMINE ON INST)	C,K-P ,S,V, W,X	1

25-29-59

FIG. & ITEM	PART NO.	AIRLINE PART NUMBER	NOMENCLATURE 1234567	EFF CODE	QTY PER ASSY
02-15	N2088		.PLUG- (V75345) (SPEC BACP20BA1) (OPT SZ7105 (V95272)) (OPT 4841 (V84914))	C,K-P ,S,V, W,X	1
17	417T6019-1		.BEZEL-EMER LT TEST SW RAISED	K,L,P ,V	1
20B	417T6009-23		.WIRING ASSY-FACEPLATE	L,V	1
-20C	417T6009-31		.WIRING ASSY-FACEPLATE	M,W	1
-20D	417T6009-34		.WIRING ASSY-FACEPLATE	N,X	1
-20E	417T6009-37		.WIRING ASSY-FACEPLATE	K,P	1
20F	417T6009-41		.WIRING ASSY-FACEPLATE (STATIC SENSITIVE PART) ATTACHING PARTS	C,S	1
25A	NAS1801-08-4		.SCREW	C,K-P ,S,V, W,X	6
30	AN960PD8L		.WASHER	C,K-P ,S,V, W,X	6
33	MS35333-38		.WASHER	C,K-P ,S,V, W,X	6
35	44MY232320		-----*----- ..SWITCH-ROTARY (V81073) (S7)	C,K-P ,S,V, W,X	1
40	RD409-101		..KNOB- (V15084)	C,K-P ,S,V, W,X	1

25-29-59

 ILLUSTRATED PARTS LIST
 01.1 Page 1044
 Mar 01/04

FIG. & ITEM	PART NO.	AIRLINE PART NUMBER	NOMENCLATURE 1234567	EFF CODE	QTY PER ASSY
02-50	BACS16X1		..SOCKET-RELAY	C,K-P ,S,V, W,X	2
55	61GB19-1A320		..RELAY- (V98927) (SPEC BACR13CF2A) (OPT JD4A017 (V35344)) (OPT BR64S104 (V56623)) (OPT BR246S0112 (V56623)) (OPT FCA210-70 (V78290)) (OPT E215-1050 (V99699)) (OPT E210-1631 (V99699)) (K1, K2)	C,K-P ,S,V, W,X	2
60	TD1482-7500		..TIMER-REPEAT CYCLE (V58657) (K3)	C,S	1
65A	HRTS9917KM		..RECEPTACLE- (V91663)	C,S	1
68	NAS620-4		..WASHER	C,S	4
70A	323912		..TERMINAL- (V00779) (SPEC BACT12AC43)	C,S	4
75	285T0495-1		..PRINTED CIRCUIT ASSY- POTABLE WATER SIGNAL UNIT (STATIC SENSITIVE PART) (M1) (REF CMM 38-14-51) ATTACHING PARTS	C,S	1

25-29-59

ILLUSTRATED PARTS LIST
01.1 Page 1045
Mar 01/04

FIG. & ITEM	PART NO.	AIRLINE PART NUMBER	NOMENCLATURE 1234567	EFF CODE	QTY PER ASSY
02-80A	NAS1801-04-10		..SCREW	C,S	3
85	NAS620-4L		..WASHER	C,S	3
90	NAS43DD0-20		..SPACER	C,S	3
95	H10-04BAC		..NUT- (V15653) (SPEC BACN10JC04) (OPT NS202101-40 (V80539)) (OPT RMLH9075-40W (V72962)) (OPT T6S440J (V11815)) (OPT VN303A40 (V92215)) (OPT 96-40 (V80539)) (OPT BRH10A04 (V52828)) -----*	C,S	3
100	AN960PD6L		..WASHER	C,K-P ,S,V, W,X	4
105	H10-06BAC		..NUT- (V15653) (SPEC BACN10JC06) (OPT RMLH9075-62W (V72962)) (OPT T6S632J (V11815)) (OPT VN303A62 (V92215)) (OPT 96-62 (V80539)) (OPT BRH10A06 (V52828)) (OPT NS202101-62 (V80539))	C,K-P ,S,V, W,X	4

25-29-59

 ILLUSTRATED PARTS LIST
 01.1 Page 1046
 Mar 01/04

FIG. & ITEM	PART NO.	AIRLINE PART NUMBER	NOMENCLATURE 1234567	EFF CODE	QTY PER ASSY
02- -110A	522302		..INDICATOR- (V65092) (N1) (SPEC S417T600-1)	K,L,N ,P,V, W	1
110B	522504		..INDICATOR- (V65092) (N1) (SPEC S417T600-2)	C,M,S ,W	1
-112	51863-3		..TERMINAL- (V00779) (SPEC BACT12AR202) (USED WITH ITEMS 110A, 110B)	C,K-P ,S,V, W,X	3
114	AML78CB001		..PLUG-SQUARE (V91929)	K,P	4
115	AML78FB001		..PLUG-RECTANGULAR (V91929)	C,K-P ,S,V, W,X	3
116	AML78CB001		..PLUG-SQUARE (V91929)	L,V	5
117	AML78CB001		..PLUG-SQUARE (V91929)	C,S	3
120	AML78CB001		..PLUG-SQUARE (V91929)	C,K-P ,S,V, W,X	11
121	AML78CB001		..PLUG-SQUARE (V91929)	M,N,W ,X	5
125	2400-3		..SWITCH-ROCKER (V91929) (S28)	C,K-P ,S,V, W,X	1
128	417T6019-1		..BEZEL-EMER LT TEST SW RAISED	C,M,N ,S,W, X	1
130	2400-100		..LENS-WHITE (V91929)	C,K,P ,S	1
-130A	2400-102		..LENS-WHITE (V91929)	L,M,N ,V,W, X	1
135	2100-3		..SWITCH-TWO POLE ALT (V91929) (S4, S5)	C,K, M-P,S ,W,X	2

25-29-59

ILLUSTRATED PARTS LIST
01.1 Page 1047
Mar 01/04

FIG. & ITEM	PART NO.	AIRLINE PART NUMBER	NOMENCLATURE 1234567	EFF CODE	QTY PER ASSY
02-136	2100-3		..SWITCH-TWO POLE ALT (V91929) (S22)	C,S	1
137	2100-3		..SWITCH-TWO POLE ALT (V91929) (S25, S30)	C,K-P ,S,V, W,X	2
140	2100-100		..LENS-NO INSERT WHITE (V91929)	C,K, M-P,S ,W,X	4
140A	2100-100		..LENS-NO INSERT WHITE (V91929)	L,V	2
141	2100-100		..LENS-NO INSERT WHITE (V91929)	C,S	1
142A	2100-13		..SWITCH-FOUR POLE ALT (V91929) (S1)	K,P	1
143	2100-101		..LENS-WHITE (V91929)	K,P	1
144	AML76C10T01P		..GUARD-SWITCH (V91929)	K,P	1
145	2100-1		..SWITCH-TWO POLE MOM (V91929) (S16, S17)	C,K-P ,S,V, W,X	2
145J	2100-1		..SWITCH-TWO POLE MOM (V91929) (S21)	C,S	1
145P	2100-100		..LENS-NO INSERT WHITE (V91929)	C,S	1
146	AML76C10T01P		..GUARD-SWITCH (V91929)	L,V	2
147	2100-1		..SWITCH-TWO POLE MOM (V91929) (S13, S18)	L,V	2

25-29-59

 ILLUSTRATED PARTS LIST
 01.1 Page 1048
 Mar 01/04

FIG. & ITEM	PART NO.	AIRLINE PART NUMBER	NOMENCLATURE 1234567	EFF CODE	QTY PER ASSY
02-148	2100-1		..SWITCH-TWO POLE MOM (V91929) (S14, S15)	P,S,V ,W,X	2
149	2100-100		..LENS-NO INSERT WHITE (V91929)	P,S,V ,W,X	1
150	2100-104		..LENS-AMBER INSERT LEGEND (V91929)	C,M,S ,W	1
-150C	2100-130		..LENS-AMBER INSERT LEGEND (V91929)	L,V	1
-150H	2100-134		..LENS-AMBER INSERT LEGEND (V91929)	K,P	1
-150J	2100-136		..LENS-AMBER INSERT LEGEND (V91929)	N,X	1
155	2100-105		..LENS-AMBER INSERT LEGEND (V91929)	C,M,S ,W	1
-155C	2100-131		..LENS-AMBER INSERT LEGEND (V91929)	L,V	1
-155H	2100-135		..LENS-AMBER INSERT LEGEND (V91929)	K,P	1
-155J	2100-137		..LENS-AMBER INSERT LEGEND (V91929)	N,X	1
158	2100-103		..LENS-ARROW WHITE (V91929)	L,V	2
-158A	2100-159		(OPT ITEM 158A) ..LENS-ARROW WHITE (V91929)	L,V	2
160	BACC45FT24B61P		(OPT ITEM 158) ..CONNECTOR- (EQUIP. NO. D1650) (P1)	C,K-P ,S,V, ,W,X	1
165	BACC45FT16B24P		..CONNECTOR- (EQUIP. NO. D1176) (P2)	C,K-P ,S,V, ,W,X	1

25-29-59

FIG. & ITEM	PART NO.	AIRLINE PART NUMBER	NOMENCLATURE 1234567	EFF CODE	QTY PER ASSY
02-170	417T6011-9		..FACEPLATE ASSY	C,K, M-P,S W,X	1
-170C	417T6011-37		..FACEPLATE ASSY	L,V	1
175	417T6011-10		DELETED		
180	417T6011-11		DELETED		
185	417T6011-12		DELETED		
190	AMY0200T5		...TRACK-UNDRILLED (V09922) (SPEC BACT44B0200U)	C,K-P S,V, W,X	1
195	417T6017-1		...BRACKET-MTG	C,K-P S,V, W,X	2
200	417T6017-4		...BRACKET-MTG (OPT ITEM 200A)	C,K-P S,V, W,X	1
-200A	417T6017-5		...BRACKET-MTG (OPT ITEM 200)	C,K-P S,V, W,X	1
-202	61048-1		..TERMINAL-POKE ON (V00779) (OPT ITEM 202A)	C,K-P S,V, W,X	AR
-202A	60729-1		..TERMINAL-POKE ON (V00779) (OPT ITEM 202)	C,K-P S,V, W,X	AR
205	417T6012-2		..DECAL-SLIP IN	C,K-P S,V, W,X	3
210	417T6012-3		..DECAL-SLIP IN	C,K-P S,V, W,X	9
211	417T6012-3		..DECAL-SLIP IN	K,P	4
212	417T6012-3		..DECAL-SLIP IN	L,V	5
213	417T6012-3		..DECAL-SLIP IN	C,S	3
214	417T6012-3		..DECAL-SLIP IN	M,N,W X	5
215	417T6012-11		..DECAL-SLIP IN (ENTRY-L)	C,K-P S,V, W,X	1

25-29-59

ILLUSTRATED PARTS LIST
01.1 Page 1050
Mar 01/04

FIG. & ITEM	PART NO.	AIRLINE PART NUMBER	NOMENCLATURE 1234567	EFF CODE	QTY PER ASSY
02-216	285T0620-25		..DECAL-SNSR FOUL AFT TANK	P,S,V ,W,X	1
-216A	417T6012-3		..DECAL-SLIP IN	C,K-N	1
217	285T0620-27		..DECAL-SNSR FOUL FWD TANK	P,S,V ,W,X	1
-217A	417T6012-3		..DECAL-SLIP IN	C,K-N	1
220	417T6012-13		..DECAL-SLIP IN (ENTRY-R)	C,K-P ,S,V, W,X	1
225	417T6012-4		..DECAL-SLIP IN (EMER LTS)	C,K-P ,S,V, W,X	1
227	417T6012-5		..DECAL-SLIP IN (EMER LTS)	K,P	1
230	417T6012-7		..DECAL-SLIP IN (ATTND-L)	C,K, M-P,S ,W,X	1
235	417T6012-9		..DECAL-SLIP IN (ATTND-R)	C,K, M-P,S ,W,X	1
243	417T6012-53		..DECAL-SLIP IN (LAV INOP)	C,K-P ,S,V, W,X	2
245	417T6012-49		..DECAL-SLIP IN (LOW WATER SHUTOFF)	C,S	1
250	417T6012-51		..DECAL-SLIP IN (LOW WATER WARNING)	C,S	1
251	417T6012-27		..DECAL-SLIP IN (MAIN DOOR UP)	L,V	1
252	417T6012-29		..DECAL-SLIP IN (MAIN DOOR DOWN)	L,V	1
254	BAC27EEL19436		..MARKER-ALUMINUM FOIL (ESDS)	C,S	1
255	417T6007-1		.SHROUD ASSY	C,K-P ,S,V, W,X	1
260	NAS1394-08		..INSERT- (OPT ITEMS 260A, 260B, 260C, 260D)	C,K-P ,S,V, W,X	6

25-29-59

ILLUSTRATED PARTS LIST
01.1 Page 1051
Mar 01/04

FIG. & ITEM	PART NO.	AIRLINE PART NUMBER	NOMENCLATURE 1234567	EFF CODE	QTY PER ASSY
R 02- -260A	1185-2CN0164		..INSERT- (V26014) (OPT ITEM 260, 260B, 260C, 260D)	C,K-P ,S,V, W,X	6
R -260B	TNC2C0164		..INSERT- (V29372) (OPT ITEM 260, 260A, 260C, 260D)	C,K-P ,S,V, W,X	6
R -260C	KN0832JMXSZ		..INSERT- (V29372) (OPT ITEMS 260, 260A, 260B, 260D)	C,K-P ,S,V, W,X	6
R -260D	MS51830A104		..INSERT- (OPT ITEMS 260, 260A, 260B, 260C)	C,K-P ,S,V, W,X	6
265	SL6156-08		..STUD- (V97393)	C,K-P ,S,V, W,X	1
270	417T6005-2		..BRACKET ASSY-MTG	C,K-P ,S,V, W,X	1
275	BACS21AP80R		...STUD- (OPT ITEM 275A)	C,K-P ,S,V, W,X	1
-275A	82-99-341-08		...STUD- (V94222) (SPEC BACS21AP80RP) (OPT ITEM 275)	C,K-P ,S,V, W,X	1
280	BACR12AG2C		...RING- (V94222) (SPEC BACR12AG2C)	C,K-P ,S,V, W,X	1
285	417T6014-3		...BRACKET	C,K-P ,S,V, W,X	1
290	417T6005-4		..BRACKET ASSY-MTG	C,K-P ,S,V, W,X	1
295	BACS21AP80R		...STUD- (OPT ITEM 295A)	C,K-P ,S,V, W,X	1
-295A	82-99-341-08		...STUD- (V94222) (SPEC BACS21AP80RP) (OPT ITEM 295)	G,K-P ,S,V, W,X	1

25-29-59

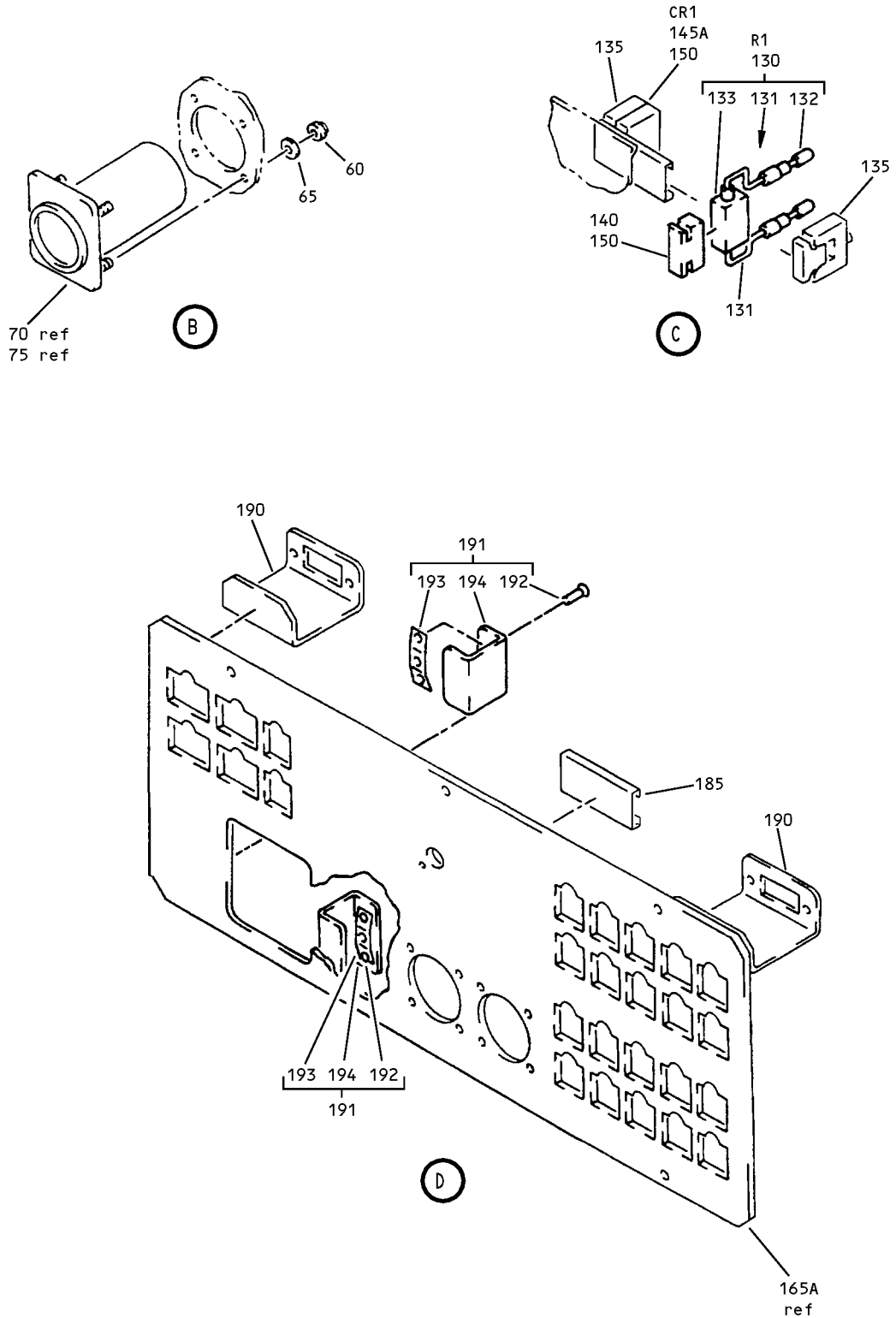
 ILLUSTRATED PARTS LIST
 01.1 Page 1052
 Mar 01/04

FIG. & ITEM	PART NO.	AIRLINE PART NUMBER	NOMENCLATURE 1234567	EFF CODE	QTY PER ASSY
02-300	BACR12AG2C		...RING- (V94222) (SPEC BACR12AG2C)	C,K-P ,S,V, W,X	1
305	417T6014-6		...BRACKET	C,K-P ,S,V, W,X	1
310	417T6007-4		..HINGE- (ALT FROM H1002S1-5W1 (V83014))	C,K-P ,S,V, W,X	1
-310A	H1002K2183		DELETED		
315	417T6007-2		..SHROUD	C,K-P ,S,V, W,X	1
320	417T6007-6		..SKIRT-BOTTOM (OPT ITEM 320A)	C,K-P ,S,V, W,X	1
-320A	417T6007-8		..SKIRT-BOTTOM (OPT ITEM 320)	C,K-P ,S,V, W,X	1

- Item Not Illustrated

25-29-59

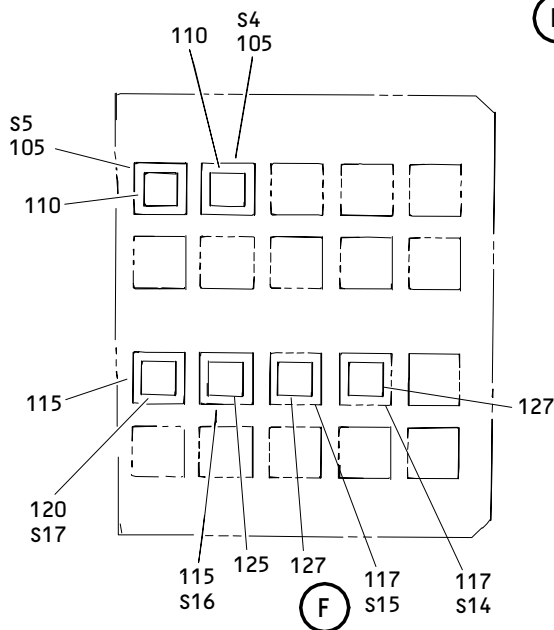
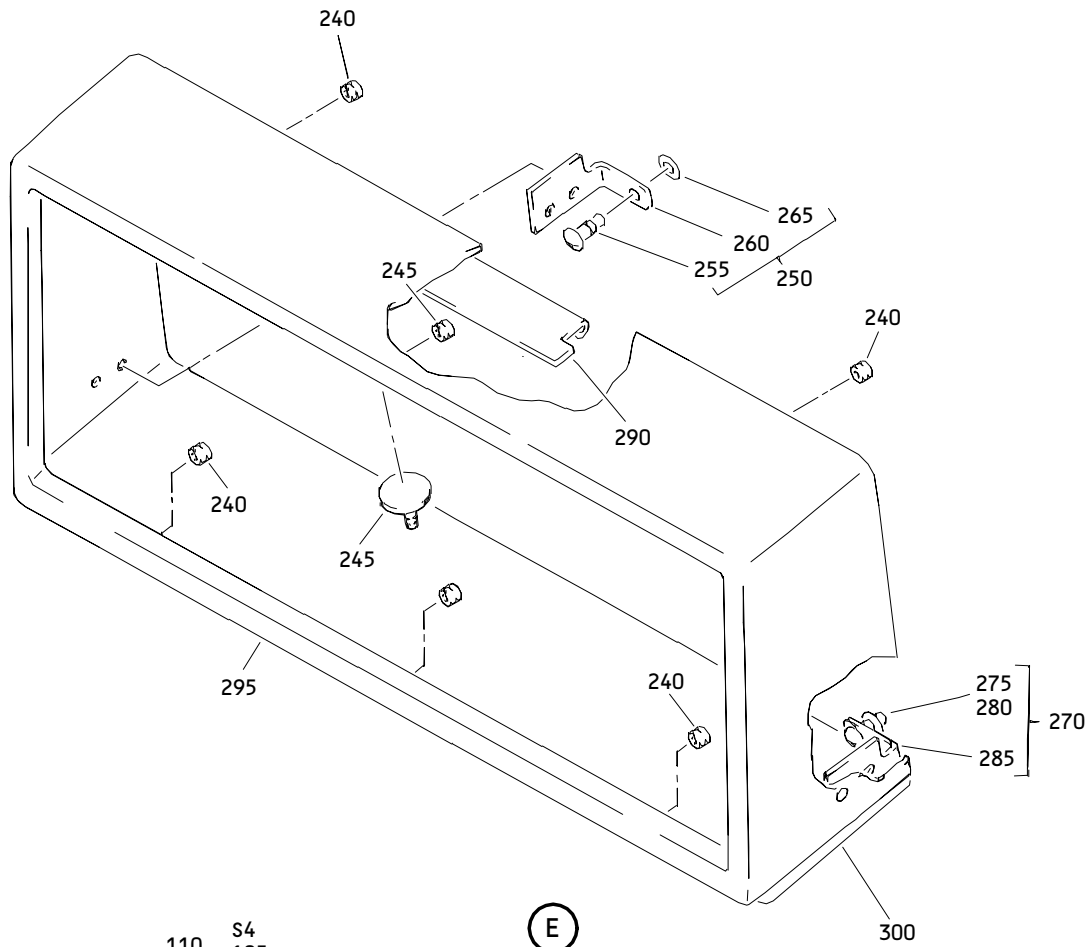
ILLUSTRATED PARTS LIST
01.1 Page 1053
Mar 01/04



Aft Attendants Panel Assembly
Figure 3 (Sheet 2)

25-29-59

ILLUSTRATED PARTS LIST
01.1 Page 1055
Mar 01/04



Aft Attendants Panel Assembly
 Figure 3 (Sheet 3)

25-29-59

ILLUSTRATED PARTS LIST
 01.1 Page 1056
 Mar 01/04

FIG. & ITEM	PART NO.	AIRLINE PART NUMBER	NOMENCLATURE 1234567	EFF CODE	QTY PER ASSY
03- -1A	417T6010-17		PANEL ASSY-AFT ATTENDANTS (PRE SB 417T6010-25-02)	J	RF
-1B	285T0629-47		PANEL ASSY-AFT ATTENDANTS (POST SB 417T6010-25-02)	F	RF
5	H10-08BAC		.NUT- (V15653) (SPEC BACN10JC08) (OPT NS202101-82 (V80539)) (OPT RMLH9075-82W (V72962)) (OPT T6S832J (V71087)) (OPT VN303A82 (V92215)) (OPT 96-82 (V80539)) (OPT BRH10A08 (V52828))	F,J	1
10	BACC10DK		.CLAMP- (SIZE DETERMINE ON INST)	F,J	1
15	N2088		.PLUG- (V75345) (SPEC BACP20BA1) (OPT SZ7105 (V95272)) (OPT 4841 (V84914))	F,J	1
17	417T6019-1		.BEZEL-EMER LT TEST SW RAISED	F,J	1
20A	417T6009-21		.WIRING ASSY-FACEPLATE ATTACHING PARTS	F,J	1
25A	NAS1801-08-4		.SCREW	F,J	6

25-29-59

FIG. & ITEM	PART NO.	AIRLINE PART NUMBER	NOMENCLATURE 1234567	EFF CODE	QTY PER ASSY
03-30	AN960PD8L		.WASHER	F,J	6
35	MS35333-38		.WASHER	F,J	6
			-----*		
40	44MY232320		..SWITCH-ROTARY (V81073) (S7)	F,J	1
45	RD409-101		..KNOB- (V15084)	F,J	1
50	BACS16X1		..SOCKET	F,J	2
55	61GB19-1A320		..RELAY- (V98927) (SPEC BACR13CF2A) (OPT JD4A017 (V35344)) (OPT BR64S104 (V56623)) (OPT BR246S0112 (V56623)) (OPT FCA210-70 (V78290)) (OPT E215-1050 (V99699)) (OPT E210-1631 (V99699)) (K1,K2)	F,J	2
60	AN960PD6L		..WASHER	F,J	8
65	H10-06BAC		..NUT- (V15653) (SPEC BACN10JC06) (OPT RMLH9075-62W (V72962)) (OPT T6S632J (V11815)) (OPT VN303A62 (V92215)) (OPT 96-62 (V80539)) (OPT BRH10A06 (V52828)) (OPT NS202101-62 (V80539))	F,J	8

25-29-59

 ILLUSTRATED PARTS LIST
 01.1 Page 1058
 Mar 01/04

FIG. & ITEM	PART NO.	AIRLINE PART NUMBER	NOMENCLATURE 1234567	EFF CODE	QTY PER ASSY
03-70	522302		..INDICATOR- (V65092) (N1) (SPEC S417T600-1)	F,J	1
75A	522303		..INDICATOR- (V65092) (N2) (SPEC S417T601-1)	F,J	1
-77	51863-3		..TERMINAL- (V00779) (SPEC BACT12AR202) (USED WITH ITEMS 70, 75A)	F,J	6
80	AML78FB001		..PLUG-RECTANGULAR (V91929)	F,J	3
85	AML78CB001		..PLUG-SQUARE (V91929)	F,J	17
90A	2400-3		..SWITCH-ROCKER (V91929) (S28)	F,J	1
95	2400-100		..LENS-WHITE (V91929)	F,J	1
97	2100-13		..SWITCH-FOUR POLE ALT (V91929) (S1)	F,J	1
98	2100-101		..LENS-WHITE (V91929)	F,J	1
100	AML76C10T01P		..GUARD-SWITCH (V91929)	F,J	1
105	2100-3		..SWITCH-TWO POLE ALT (V91929) (S4,S5)	F,J	2

25-29-59

FIG. & ITEM	PART NO.	AIRLINE PART NUMBER	NOMENCLATURE 1234567	EFF CODE	QTY PER ASSY
03-110	2100-100		..LENS-NO INSERT WHITE (V91929)	F,J	2
115	2100-1		..SWITCH-TWO POLE (V91929) (S16,S17)	F,J	2
117	2100-1		..SWITCH-TWO POLE (V91929) (S14,S15)	F	2
120	2100-104		..LENS-AMBER INSERT LEGEND (V91929)	F,J	1
125	2100-105		..LENS-AMBER INSERT LEGEND (V91929)	F,J	1
127	2100-100		..LENS-NO INSERT WHITE (V91929)	F	2
130	69B40800-62		..RESISTOR ASSY-(R1)	F,J	1
131	RT876YELI16		DELETED		
R 131A	BACT63A51-4		...TUBING-SHRINKABLE (OPT ITEM 131B)	F,J	1
R -131B	RT876YEL1-16		...TUBING-SHRINKABLE (V06090) (OPT ITEM 131A)	F,J	1
132	BACC47DE6		...PIN-CONTACT	F,J	2
133	RCR42G181JS		...RESISTOR-180 OHMS, 2W, +/- 5 PCT	F,J	1
135	AMMC6		..CLAMP ASSY-(V09922) (SPEC BACC49A1) (OPT FAB278 (V15805)) (OPT H28-1 (V34941)) (OPT UP103 (V6E102))	F,J	2

25-29-59

ILLUSTRATED PARTS LIST
01.1 Page 1060
Mar 01/04

FIG. & ITEM	PART NO.	AIRLINE PART NUMBER	NOMENCLATURE 1234567	EFF CODE	QTY PER ASSY
03-140	YHLZ2		..MODULE- (V09922) (SPEC BACM15C1A) (OPT YHLZ22 (V09922))	F,J	1
145A	YHLZD28		..MODULE-DIODE (V09922) (CR1)	F,J	1
150	BACC47DE7		..CONTACT	F,J	AR
155	BACC45FT24B61P		..CONNECTOR- (P1)	F,J	1
160	BACC45FT16B24P		..CONNECTOR- (P2)	F,J	1
165A	417T6011-29		..FACEPLATE ASSY	F,J	1
170A	417T6011-30		DELETED		
175A	417T6011-31		DELETED		
180A	417T6011-32		DELETED		
185	AMY0200T5		...TRACK- (V09922) (SPEC BACT44B0200U)	F,J	1
190	417T6017-1		...BRACKET-MTG	F,J	2
191	417T6017-2		...BRACKET ASSY-MTG	F,J	2
192	BACR15BA3AD	RIVET- (SIZE DETERMINE ON INST)	F,J	2
193	82-99-342-15	RECEPTACLE- (V94222) (SPEC BACR11AM2) (OPT 2-295 (V94222))	F,J	1
194	417T6017-3	BRACKET	F,J	1
195	417T6012-2		..DECAL-SLIP IN	F,J	3
200	417T6012-3		..DECAL-SLIP IN	F,J	15
202	285T0620-25		..DECAL-SNSR FOUL AFT TANK	F	1
-202A	417T6012-3		..DECAL-SLIP IN	J	1
203	285T0620-27		..DECAL-SNSR FOUL FWD TANK	F	1
-203A	417T6012-3		..DECAL-SLIP IN	J	1
205	417T6012-40		..DECAL-SLIP IN (EMER LIGHTS TEST)	F,J	1
210	417T6012-37		..DECAL-SLIP IN (WORK LT LEFT)	F,J	1
215	417T6012-39		..DECAL-SLIP IN (WORK LT RIGHT)	F,J	1

25-29-59

FIG. & ITEM	PART NO.	AIRLINE PART NUMBER	NOMENCLATURE 1234567	EFF CODE	QTY PER ASSY
03-					
225	417T6012-53		..DECAL-SLIP IN (LAV INOP)	F,J	2
230	417T6012-5		..DECAL-SLIP IN (EMER LTG)	F,J	1
235	417T6007-1		.SHROUD ASSY	F,J	1
240	NAS1394-08		..INSERT- (OPT ITEMS 240A, 240B, 240C, 240D)	F,J	6
R -240A	1185-2CN0164		..INSERT- (V26014) (OPT ITEM 240, 240B, 240C, 240D)	F,J	6
R -240B	TNC2C0164		..INSERT- (V29372) (OPT ITEM 240, 240A, 240C, 240D)	F,J	6
R -240C	KN0832JMXSZ		..INSERT- (V29372) (OPT ITEMS 240, 240A, 240B, 240D)	F,J	6
R -240D	MS51830A104		..INSERT- (OPT ITEMS 240, 240A, 240B, 240C)	F,J	6
245	SL6156-08		..STUD- (V97393)	F,J	1
250	417T6005-2		..BRACKET ASSY-MTG	F,J	1
255	BACS21AP80R		...STUD- (OPT ITEM 255A)	F,J	1
-255A	82-99-341-08		...STUD- (V94222) (SPEC BACS21AP80RP) (OPT ITEM 255)	F,J	1
260	BACR12AG2C		...RING- (V94222) (SPEC BACR12AG2C)	F,J	1
265	417T6014-3		...BRACKET	F,J	1
270	417T6005-4		..BRACKET ASSY-MTG	F,J	1
275	BACS21AP80R		...STUD- (OPT ITEM 275A)	F,J	1
-275A	82-99-341-08		...STUD- (V94222) (SPEC BACS21AP80RP) (OPT ITEM 275)	F,J	1
280	BACR12AG2C		...RING- (V94222) (SPEC BACR12AG2C)	F,J	1

25-29-59

 ILLUSTRATED PARTS LIST
 01.1 Page 1062
 Mar 01/04

FIG. & ITEM	PART NO.	AIRLINE PART NUMBER	NOMENCLATURE 1234567	EFF CODE	QTY PER ASSY
03-					
285	417T6014-6		...BRACKET	F,J	1
290	417T6007-4		..HINGE- (ALT FROM H1002S1-5W1 (V83014))	F,J	1
-290A	H1002K2183		DELETED		
295	417T6007-2		..SHROUD	F,J	1
300	417T6007-6		..SKIRT-BOTTOM (OPT ITEM 300A)	F,J	1
-300A	417T6007-8		..SKIRT-BOTTOM (OPT ITEM 300)	F,J	1

- Item Not Illustrated

25-29-59

ILLUSTRATED PARTS LIST
01.1 Page 1063
Mar 01/04